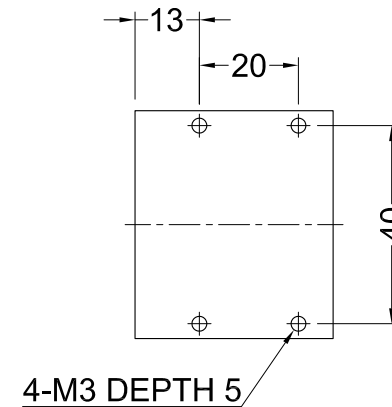
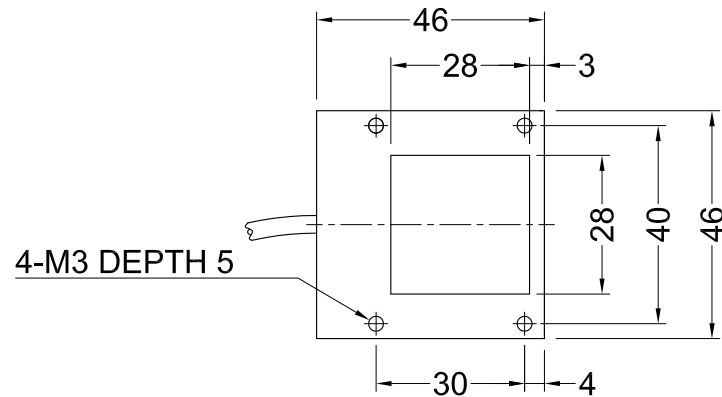


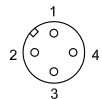
QCO-034031-47/-52/-66/-SW

Model	QCO-034031-47/-52/-SW	QCO-034031-66
Voltage	24V DC	24V DC
Power Consumption	3.4 W	3.6 W
Mass	150 g	150 g

Third Angle Projection All dimensions in mm

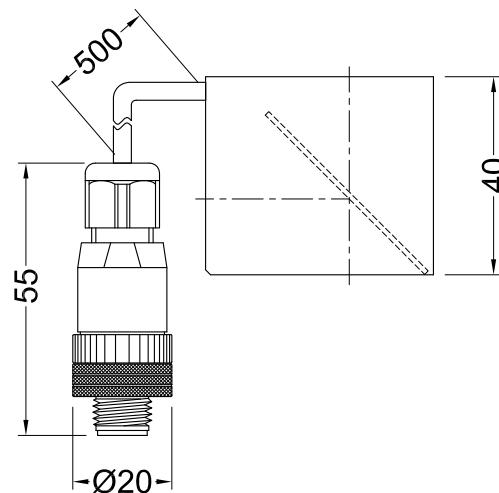


M12 X 1 MALE CONNECTOR



PIN 1: (+): BROWN
 PIN 2: NC
 PIN 3: (-): BLUE
 PIN 4: NC

CABLE THICKNESS 3.6



QL series

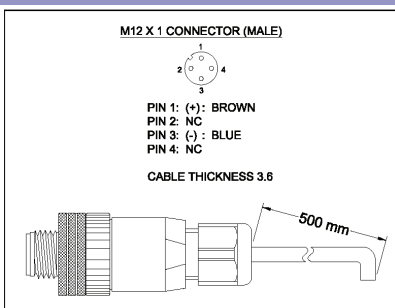
Quality, features and pricing
for a new Vision World

QCO ON AXIS LIGHTS

- High intensity
- 24 Volt input
- Industry standard rugged connectors and cables
- Compact size
- Value priced



Part number	Color	Power	Weight
QCO-034031-	66	24V / 3.6W	150 g
	47 / 52 / SW	24V / 3.4W	
QCO-052050-	66	24V / 7.2W	330 g
	47 / 52 / SW	24V / 9.3W	
QCO-073070-	66	24V / 12.6W	580 g
	47 / 52 / SW	24V / 18.2W	



- All QL series lights come standard with a 500mm cable and a quick disconnect M12 connector.
- For connection to **QLC-200-24V** controller or direct to 24VDC power supply (QPS-24V), use QRK-44T-n (n=2,3,5) extension cable.
- For connection to CCS 24V power supplies, use QADC-01 adaptor.

Part number designation

QBR-xxxxyy-zz
xxx : case length in mm
yyy : case height in mm

zz : **66** 660 nm Red
47 470 nm Blue
52 525 nm Green
IR95 950 nm Infrared
SW White

QL Series Connections Guide For: QCO-034031-52

Power Supply Options:

PB-2430	PD2-3024	PDS-30
PSB-524V	PD2-5024	DIL-5000-WV
PSB-3024VB	PD2-3024-2	STU-3000
PSB-1024V-WW	PD2-3024-4	
PD2-1024	PTU2-3024	

- For connection to above listed power supplies, use QADC-01 adaptor cable.
- Extension cables for QCO-034031-52 light when used with above listed power supplies (QADC-01 adaptor required):

FCB-1	FRCB-5	FCB-F-5
FCB-2	FCB-10	FCB-W-2
FCB-3	FCB-20-1.25SQ	FCB-W-5
FCB-5	FCB-F-2	

24V DC Connection:

- For direct connection to 24V DC regulated power supply, use QRK-44T-n (n=2,3,5) extension cable.

QLC-200-24V – Overdriving Strobe Controller:

- For connection to QLC-200-24V controller or direct to 24VDC (QPS-24DC), use QRK-44T-n (n=2,3,5) extension cable.

Part Numbers		
Extension Cable	Controller	24 V DC Supply
QRK Series	QLC-200-24V	QPS-24DC

Extension Cable Part numbers	
Part Number	Length (m)
QRK-44T-2	2
QRK-44T-3	3
QRK-44T-5	5

