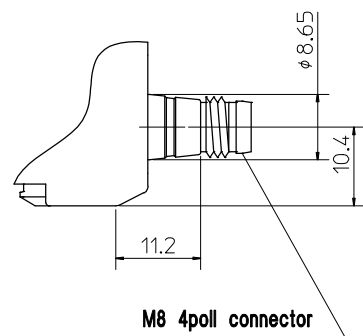
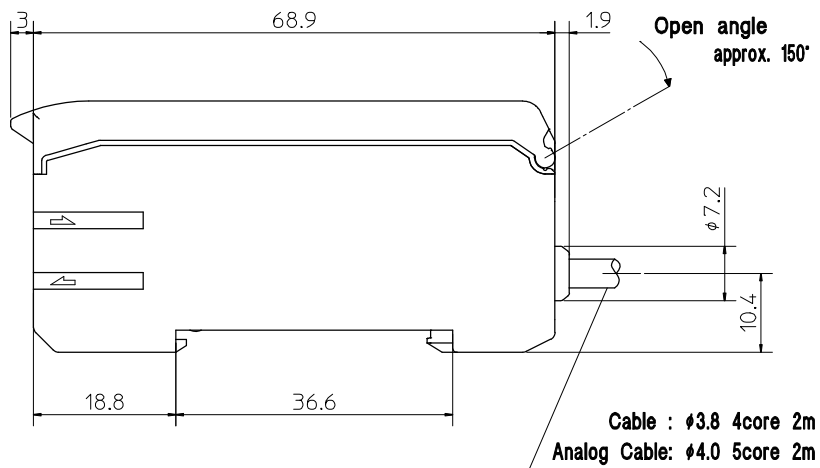
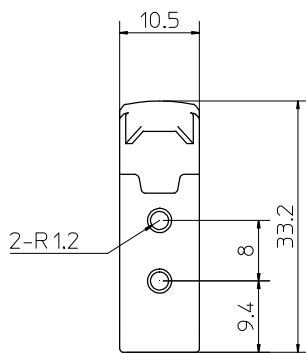
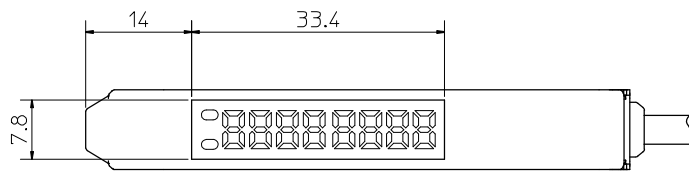
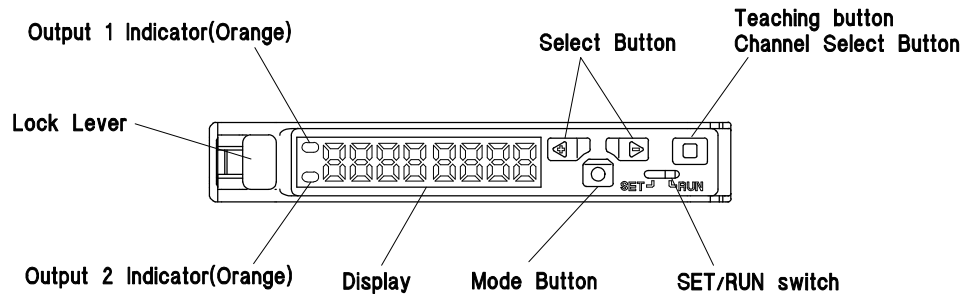


X92-Q002E



CON.NO	QUAN	NAME		MATERIAL	STANDARD	DISPOSAL	REMARKS
A4	SCALE 1 / 1	UNIT m.m.	DATE 2005.12.07	DESCRIPTION D2RF / D2GF			
APPROVED BY K.Matsumoto	CHECKED BY K.Matsumoto	DRAWN BY S.Nishimura	DESIGNED BY S.Nishimura	Stand alone model			
ITEM				DIMENSIONAL DRAWING			
3RD ANGLE PROJECTION	OPTEX FA CO.,LTD.			DRAWING NO	X92-Q002E		