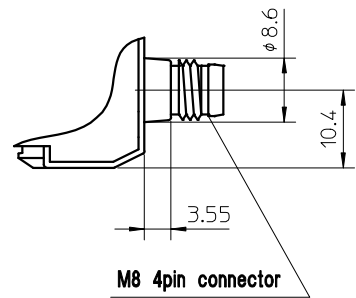
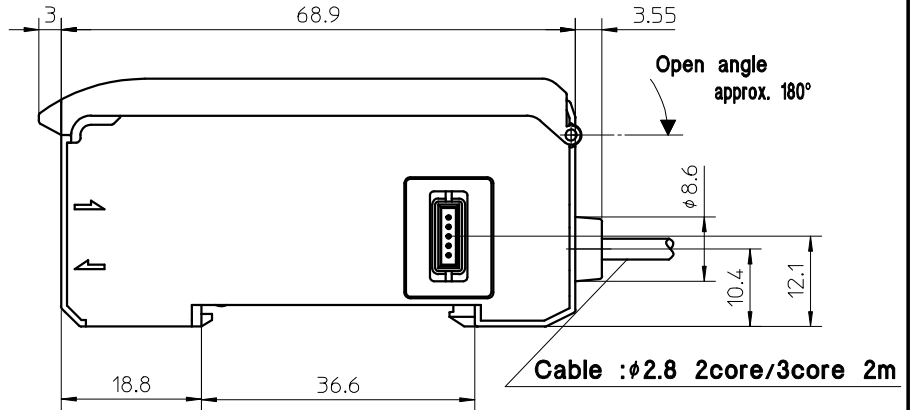
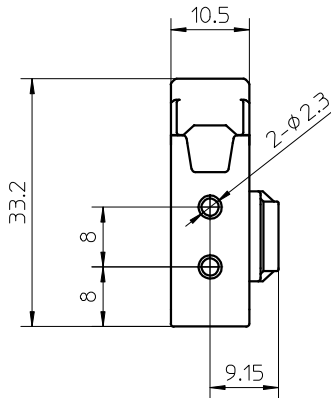
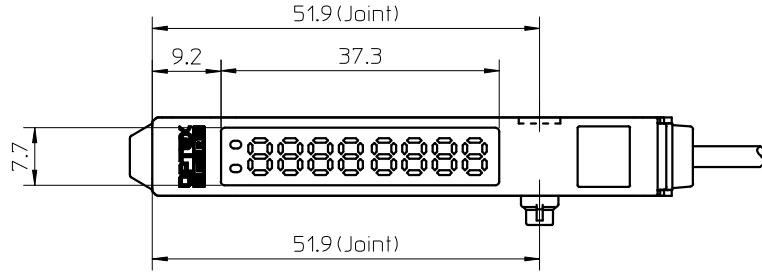
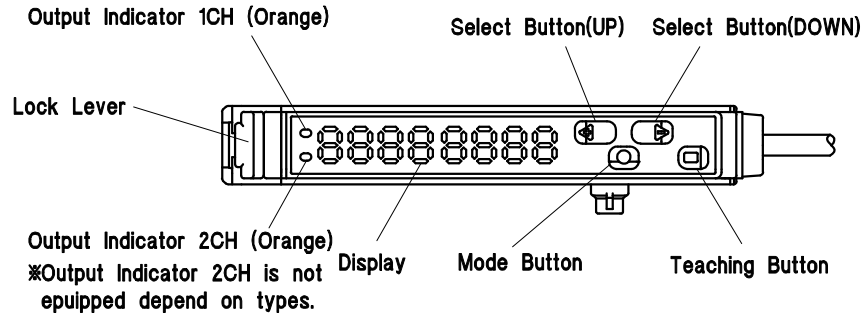


X110-Q012



CON.NO	QUAN	NAME		MATERIAL	STANDARD	DISPOSAL	REMARKS
A4	SCALE 1 / 1	UNIT m.m.	DATE 2009.06.15	DESCRIPTION D3RF/D3IF Slave unit			
APPROVED BY T.Yuguchi	CHECKED BY S.Nishimura	DRAWN BY S.Horiike	DESIGNED BY S.Horiike	ITEM DIMENSIONAL DRAWING			
3RD ANGLE PROJECTION	OPTEX FA CO.,LTD.			DRAWING NO	X110-Q012		