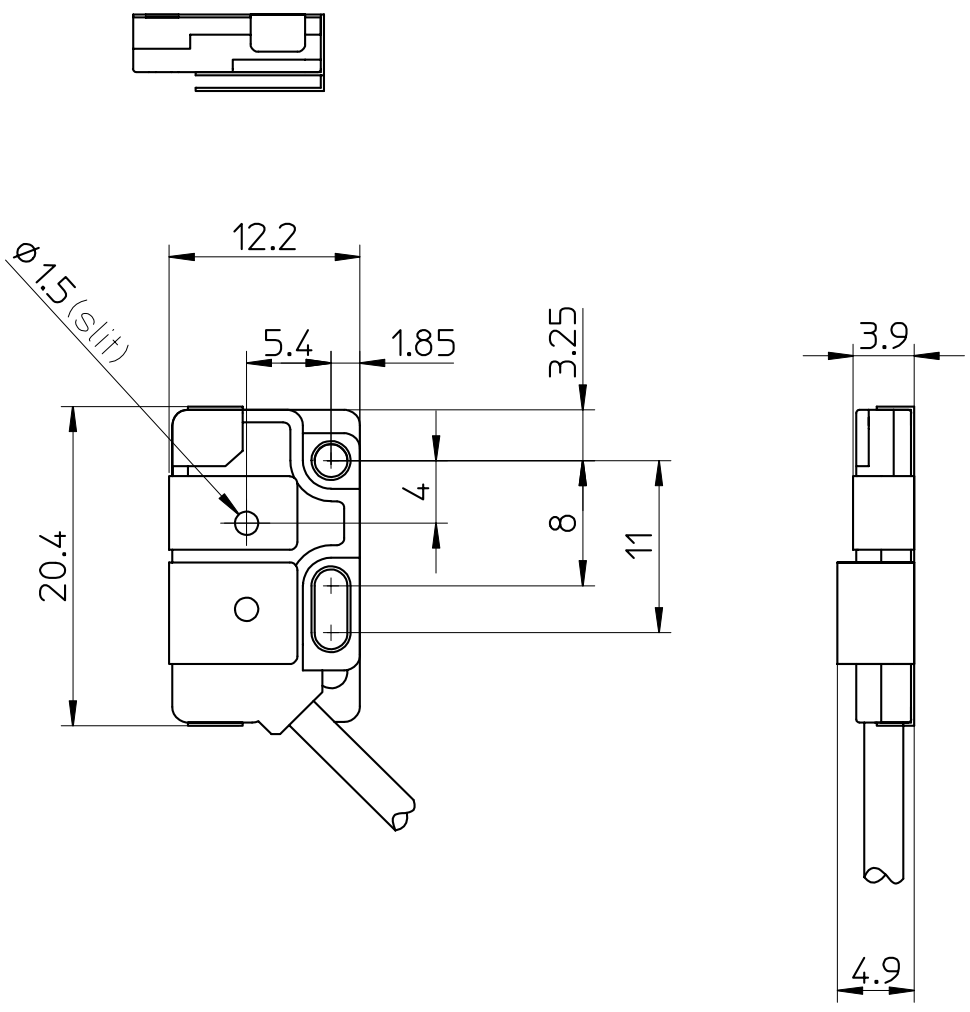


Slit BL-W2F-1.5
Material: SUS304 t=0.2

CON.NO	QUAN	NAME		MATERIAL	STANDARD	DISPOSAL	REMARKS
A4	SCALE 2/1	UNIT mm	DATE 06.03.16	DESCRIPTION BL-W2F-1.5			
APPROVED BY K.Matsumoto	CHECKED BY K.Matsumoto	DRAWN BY S.Horiike	DESIGNED BY S.Horiike	ITEM Dimensions			
3RD ANGLE PROJECTION	OPTEX FA CO.,LTD.			DRAWING NO	X84 0021-1		

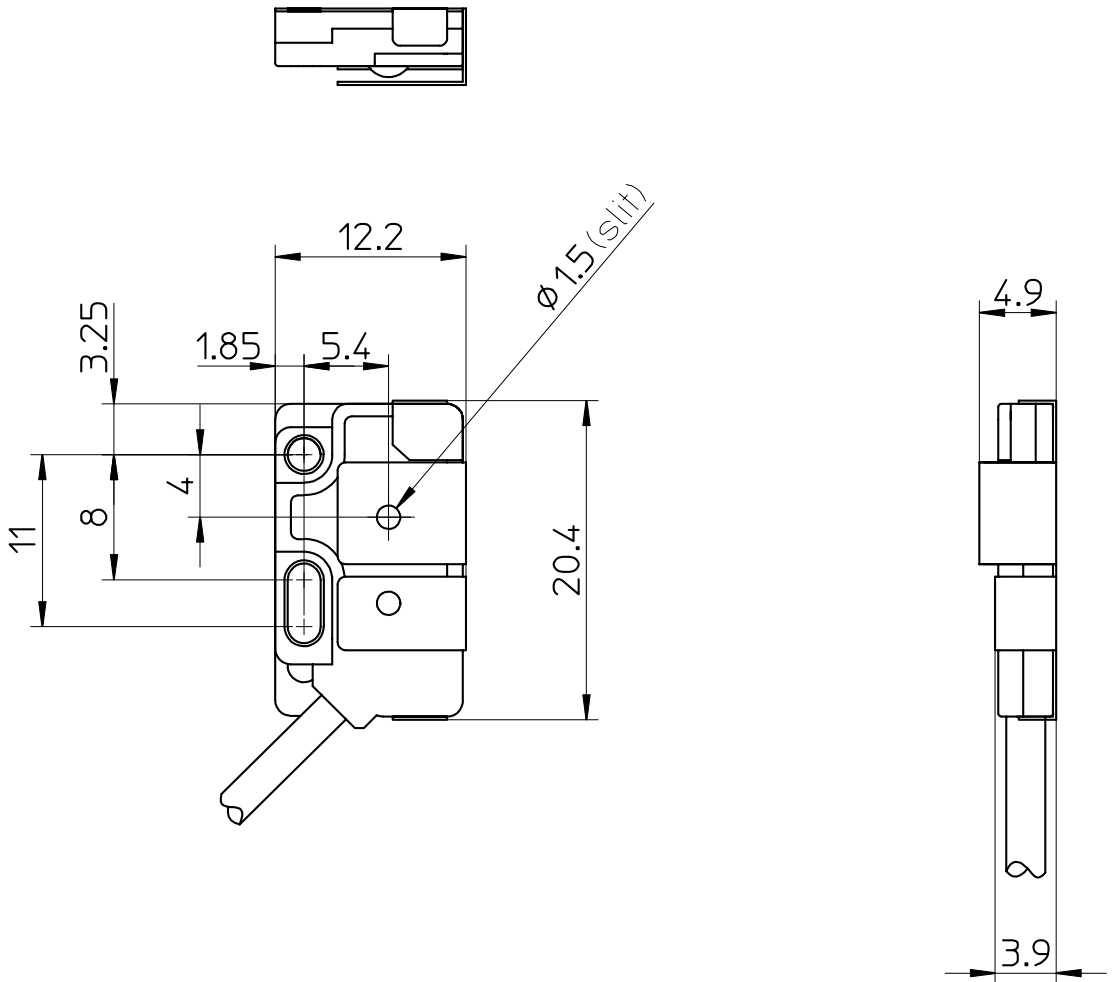
X84 0021-3



Slit BL-W2F-1.5
Material: SUS304 t=0.2

CON.NO	QUAN	NAME		MATERIAL	STANDARD	DISPOSAL	REMARKS
A4	SCALE 2/1	UNIT mm	DATE 06.03.16	DESCRIPTION BL-W2F-1.5 (With ET-500 Receiver)			
APPROVED BY K.Matsumoto	CHECKED BY K.Matsumoto	DRAWN BY S.Horiike	DESIGNED BY S.Horiike	ITEM Dimensions			
3RD ANGLE PROJECTION	OPTEX FA CO.,LTD.			DRAWING NO	X84 0021-3		

X84 0021-2



Slit BL-W2F-1.5
Material: SUS304 t=0.2

CON.NO	QUAN	NAME		MATERIAL	STANDARD	DISPOSAL	REMARKS
A4	SCALE 2/1	UNIT mm	DATE 06.03.16	DESCRIPTION BL-W2F-1.5 (With ET-500 Emitter)			
APPROVED BY K.Matsumoto	CHECKED BY K.Matsumoto	DRAWN BY S.Horiike	DESIGNED BY S.Horiike	ITEM Dimensions			
3RD ANGLE PROJECTION	OPTEX FA CO.,LTD.			DRAWING NO	X84 0021-2		