

Absolute-Encoder COH110 - ETC

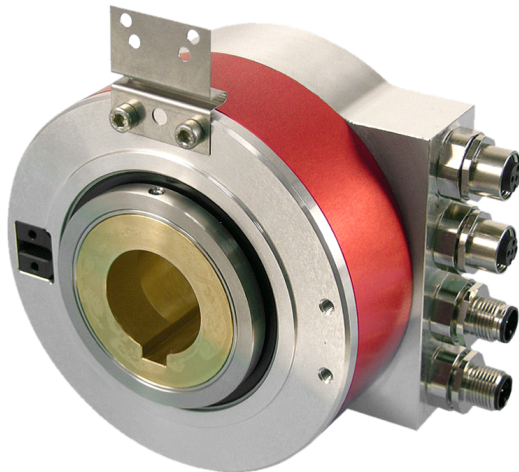
Ref.: K-COH110-ETC-1

18.11.2013

010102011003030202

Advantages

- _ Customer-specific solutions
- _ Flexible programming
- _ High resolution system



General Data

Supply	
- Supply voltage	11...27 VDC
Current consumption no load	<= 200 mA
Device design	
- Type	Single-/Multi-Turn
Total resolution	<= 36 Bit
Number of steps per revolution	<= 262144
Number of revolutions	<= 256000
Output capacity	<= 32 Bit
EtherCAT - Interface	
- EtherCAT	IEC 61158-1-6, IEC 61784-2
- Physical Layer	Fast Ethernet, ISO/IEC 8802-3
- Device profile	CoE, CiA DS-406
Incremental - Interface	
- Equipment	Optional interface
- Incremental signals, square	K1± K2± K0±
- Impulses, square wave	4096 □
- Output driver, TTL	RS-422, 5 VDC
- Output driver, HTL	Push-Pull, 11...27 VDC
Transmission rate	
- Specific value	100 MBit/s
Cycle time	100 µs

Subject to change.

TR-Electronic GmbH
 Eglshalde 6
 78647 Trossingen
 Tel. +49 (0) 7425 228-0
 info@tr-electronic.de
www.tr-electronic.de

Absolute-Encoder COH110 - ETC

Ref.: K-COH110-ETC-1

18.11.2013

010102011003030202

General Data continuation

Parameter/Function, changeable	Resolution
	Preset parameter
	Counting direction
Type of parametrization	programmable
Programming - Tool	Fieldbus-Device
Maximum Speed, mechanically	≤ 2000 1/min
Shaft load, axial/radial	Own mass
Bearing life time	$\geq 3.9E+10$ revolutions
Bearing life time - Parameter	
- Speed	2000 1/min
- Operating temperature	60 °C
Angular acceleration	$\leq 10E+4$ rad/s ²
Moment of inertia, typically	525E-6 kg m ²
Start-up torque, 20 °C	8 Ncm
Mass, typically	
- Without shaft insert	1.200 kg
- With shaft insert	1.750 kg

Environmental conditions

Vibration	
- Specific value	≤ 100 m/s ²
- Sine	50...2000 Hz
Shock	
- Specific value	≤ 1000 m/s ²
- Half sine	11 ms
Immunity to disturbance	DIN EN 61000-6-2
Transient emissions	DIN EN 61000-6-3
Working temperature	
- Standard	0...+60 °C
- Optional	-20...+70 °C;
Storage temperature, dry	-30...+80 °C
Relative humidity	98 %, non condensing
Protection class	
- Standard	IP54

Subject to change.

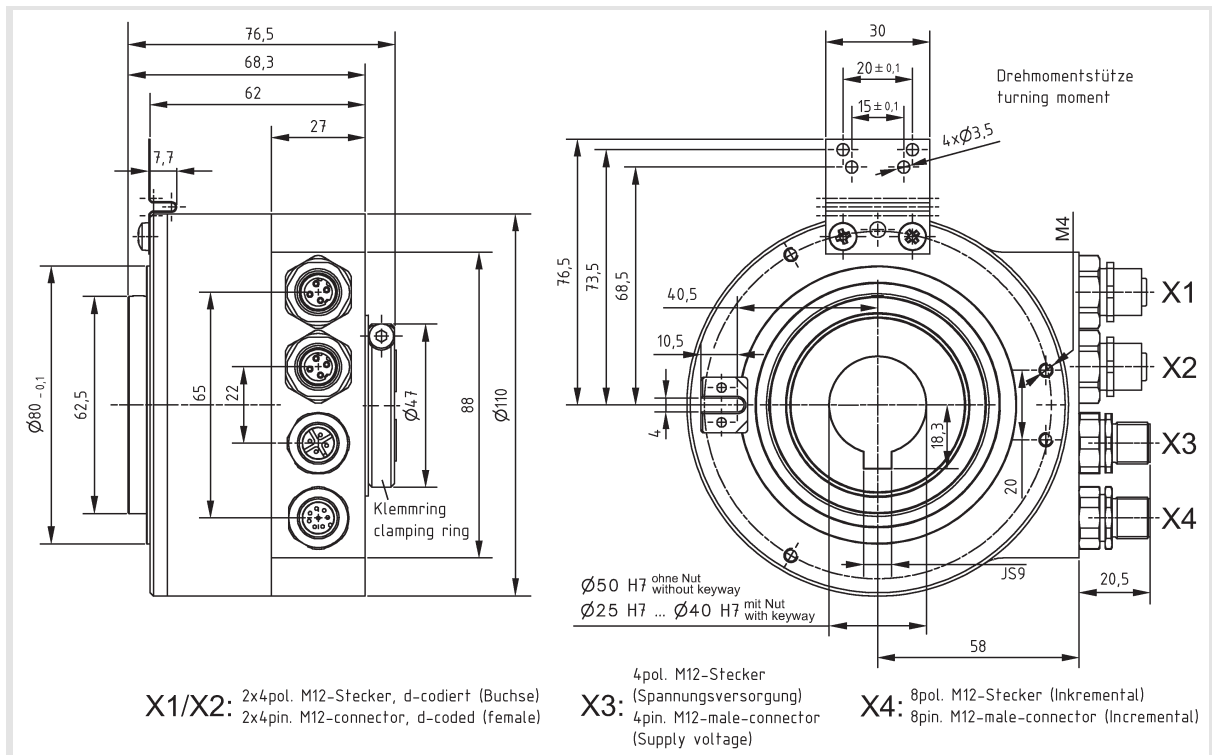
Absolute-Encoder COH110 - ETC

Ref.: K-COH110-ETC-1

18.11.2013

010102011003030202

Dimensional drawing



Suggested products

COH110M*262144/4096 ETC2+INC 50H7 COH110M-00001
4x 4pol M12 1x 4pol M8

COH110S*262144/1 ETC2+INC 50H7 COH110S-00001
4x 4pol M12 1x 4pol M8

Subject to change.