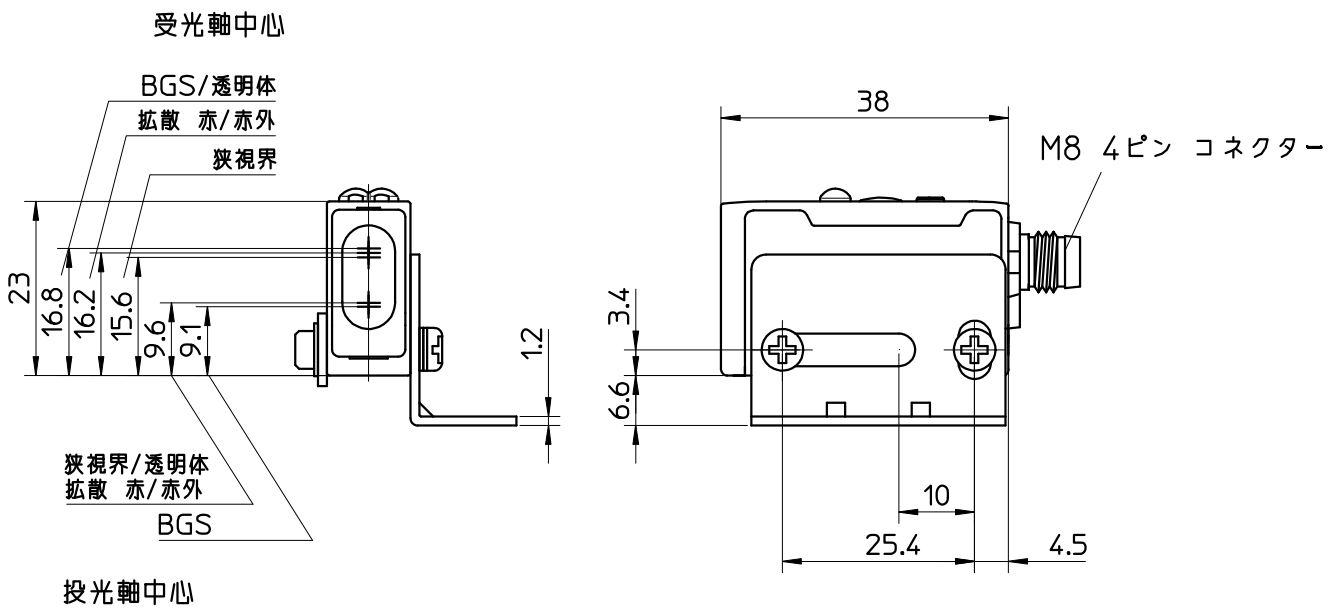
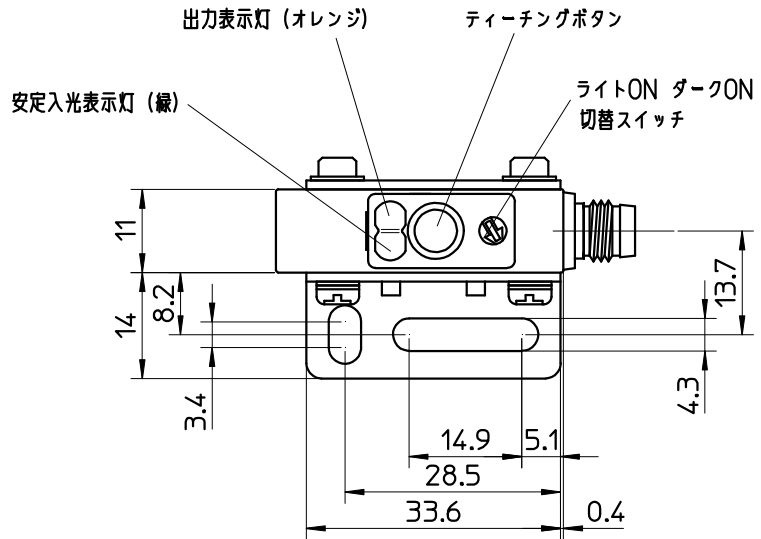


X54-Q018



| CON.NO                     | QUAN                 | NAME                    |                            | MATERIAL                                  | STANDARD | DISPOSAL | REMARKS |
|----------------------------|----------------------|-------------------------|----------------------------|---|----------|----------|---------|
| <b>A4</b>                  | SCALE<br>1 / 1       | UNIT<br>mm              | DATE<br>2000.9.12          | DESCRIPTION<br>J2 シリーズ<br>横型 コネクタータイプ 金具付 |          |          |         |
| APPROVED BY<br>K.Matsumoto | CHECKED BY<br>R.Kumo | DRAWN BY<br>S.Nishimura | DESIGNED BY<br>S.Nishimura | ITEM<br>外形寸法図                             |          |          |         |
| 3RD ANGLE<br>PROJECTION    | OPTEX FA CO.,LTD.    |                         |                            | DRAWING NO<br>X54-Q018                    |          |          |         |