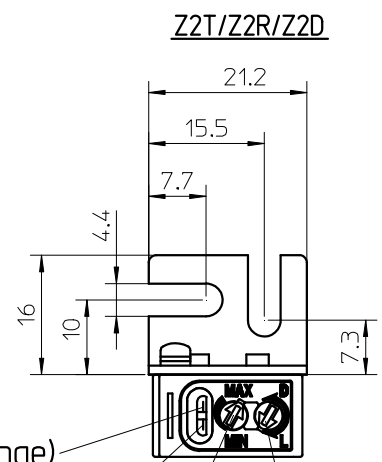
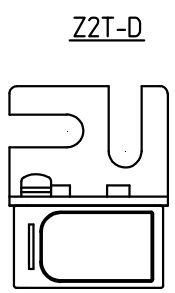
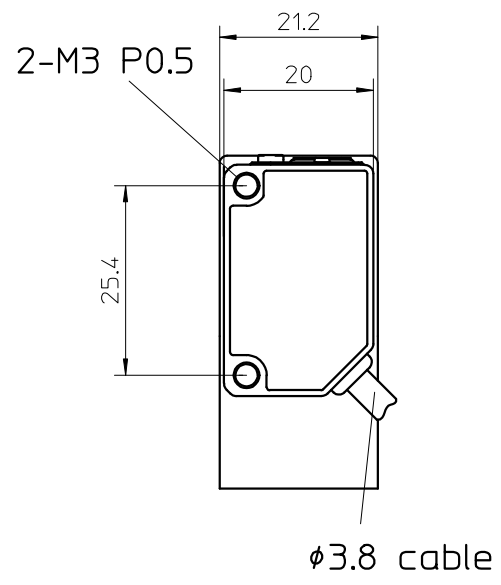
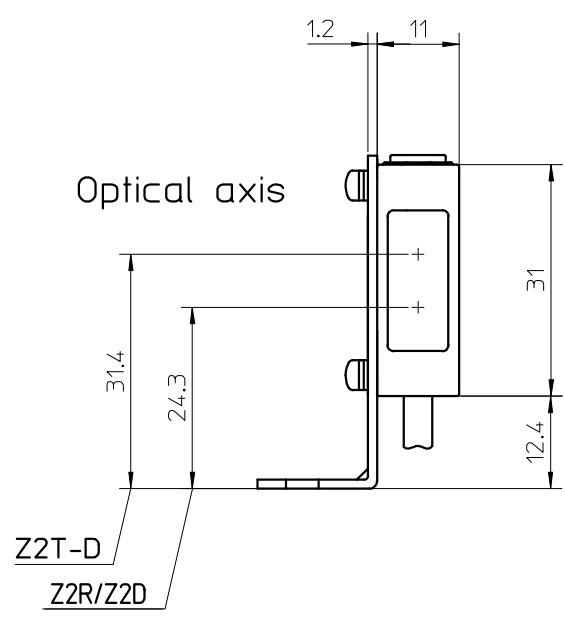


X106-Q003E

Output indicator(orange)  
 Stable indicator(green)  
 Sensitivity adjuster  
 L.ON/D.ON selector



CON.NO	QUAN	NAME		MATERIAL	STANDARD	DISPOSAL	REMARKS
<b>A4</b>	SCALE 1/1	UNIT mm	DATE 2008.07.14	DESCRIPTION <b>Z2 Series</b>			
APPROVED BY T.Yuguchi	CHECKED BY S.Nishimura	DRAWN BY S.Horiike	DESIGNED BY S.Horiike	Cable type with standard bracket			
3RD ANGLE PROJECTION				ITEM	Dimensions		
OPTEX FA CO.,LTD.				DRAWING NO	X106-Q003E		