

FMC-EB COLUMN FOR EOS LIGHT CURTAINS

GENERAL

These mounting instructions contain information about:

- The correct mounting of the light curtains **EOS** inside the **FMC-EB** columns.
- The assembly of the **FMC-EB** stand for mounting on the **FMC-CB/FMC-CBL** stand bottom.
- The correct mounting of emitters and receives (with our without mirror).
- Please find detailed information about the function of the light curtains / light grids in the relevant mounting and wiring instructions.

MOUNTING ON THE FMC-CB/FMC-CBL STAND BOTTOM (Fig. 1)

- Mount the **FMC-CB/FMC-CBL** stand bottom on the floor (see mounting instruction for stand bottom).

Please note:

For a correct alignment, please verify that the stand bottom upper surface is even and horizontal (using a circular spirit level).

*To operate the regulation, act on the three hexagonal nuts **B** (fig.4) until the perfect levelness is reached. (Maximum adjustment: 10mm). If the ground roughness is over 10mm, flush it adequately.*

- Loosen the three allen screws and remove the washers.
- Assembly the column to the stand bottom, centering the **FMC-EB** column rotation flange with the guides of the **FMC-CB/FMC-CBL** stand bottom upper plate.
- Fix the column tightening the three allen screws and the washers.

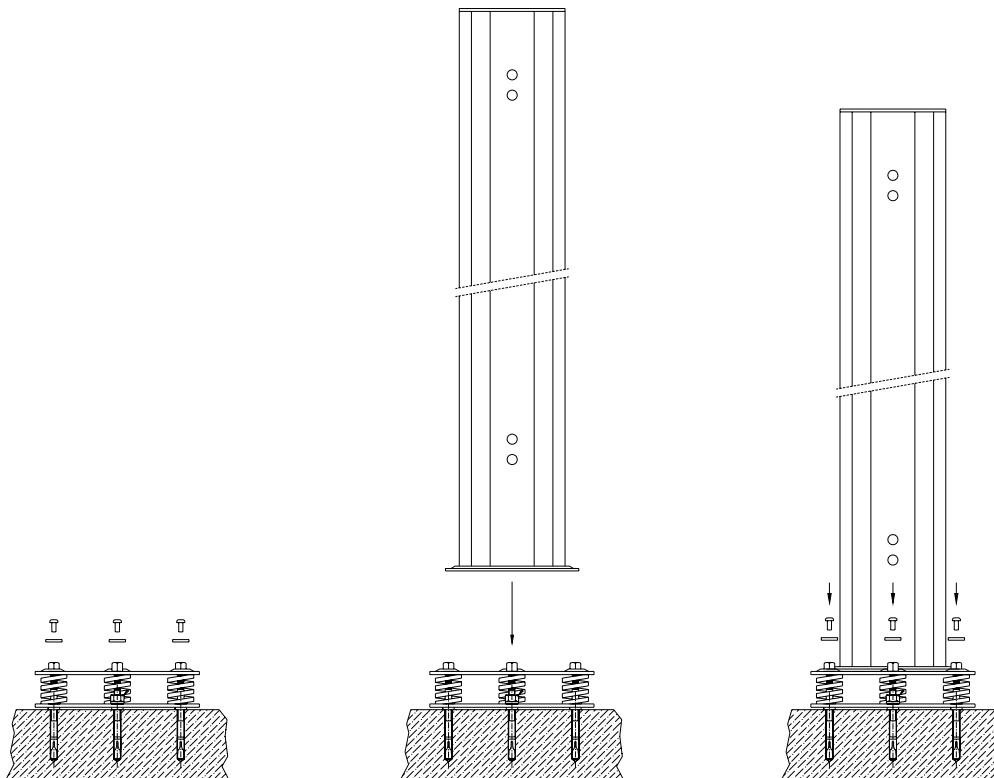


Figure 1

MOUNTING OF EOS LIGHT CURTAINS

- Remove the cover (with spirit level) from the top of the column;
- Insert the hexagonal-head screws (**A**) in the holes of the column *fig.2 step 1*;
- Turn the hexagonal-head screws once to inserts (**B**) *fig.2 step 2*;
- Insert the barrier from the top into the column, (make sure that all the inserts slide in the slot on the back of the barrier, *fig.2 step 3*);
- When correct position achieved, (*see table 1*) lock the hexagonal-head screws to fix the barrier.
- Fix the cover on the top of the column.

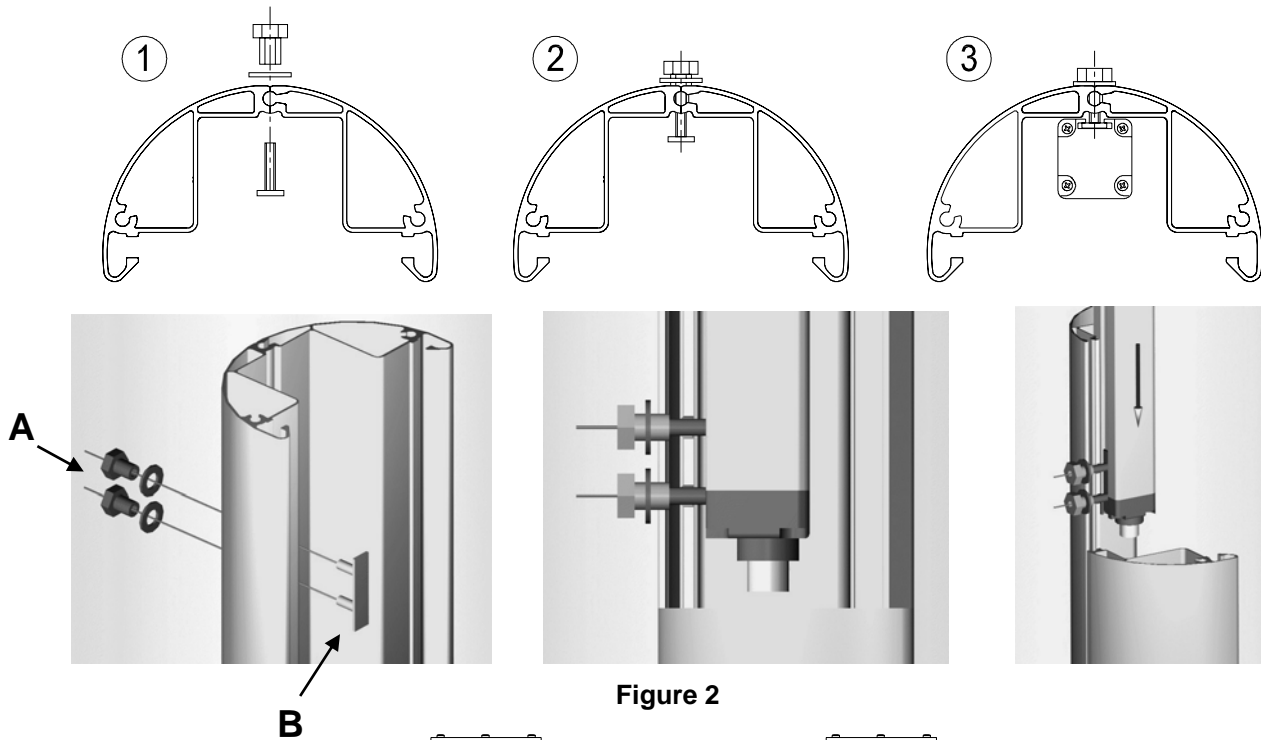


Figure 2

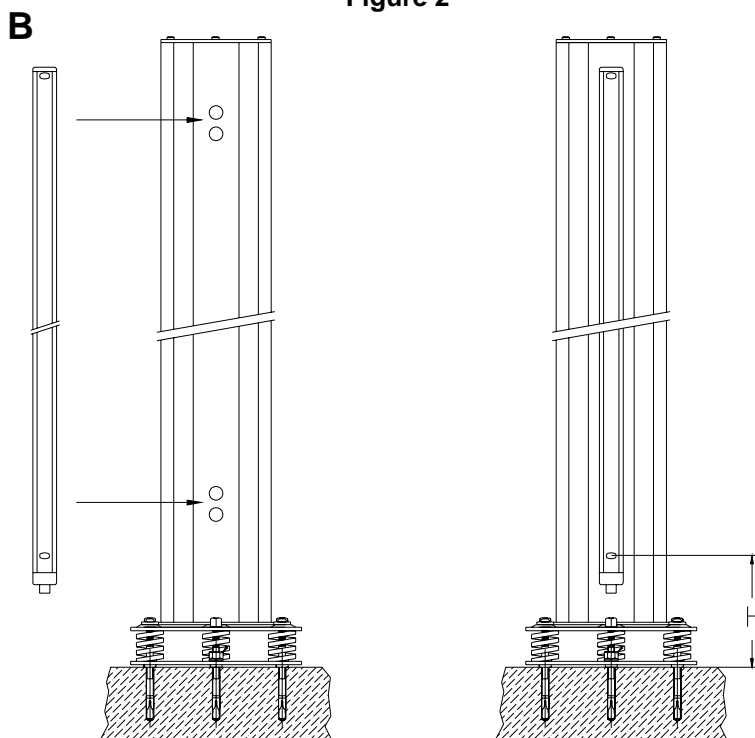


Figure 3

- You can find the exact position of the barrier in the table below (distance between the first light beam and the ground) (according to ISO 13855).

MODEL	FMC-EB2 FMC-EB2R	FMC-EB4 FMC-EB4R	FMC-EB1700 FMC-EB1700R	FMC-EB2000 FMC-EB2000R
Distance between the first light beam (red LED) and the ground [mm]	400	300	300	300

Table 1

ALIGNMENT OF EMITTER AND RECEIVER (Fig. 4)

- The last operation you have to perform is the emitter / receiver alignment.
- Ensure that the stands of emitter and receiver are in a vertical position (placing a spirit level **(A)** on the top end of each stand). Perform leveling fine adjustments by means of the hexagonal nuts of the stand bottom **(B)**.
- Connect the light curtain / light grid. (ref. Curtain technical manual).
- For an exact alignment of emitter and receiver, loosen the three allen screws **(C)** that fix the rotation flange and rotate the two columns until the barrier signal LEDs light on (ref. Technical manual).

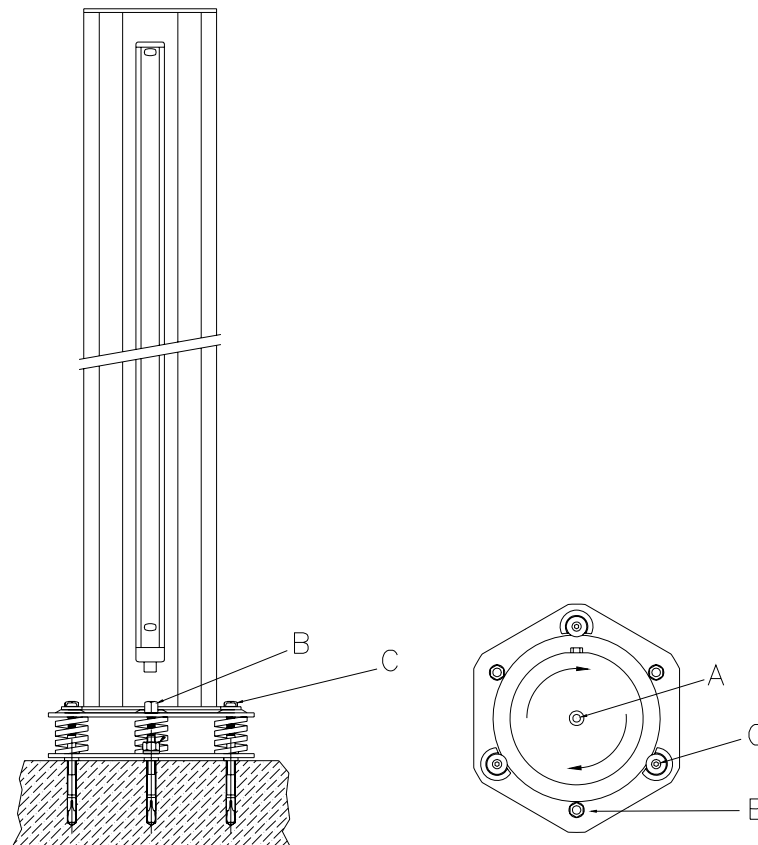


Figure 4

FITTING FOR CABLE (COLUMN FMC-EBR)

- Insert the cable (terminating with the female connector) in the PG11 plastic fitting, housed in the column (figure 5).

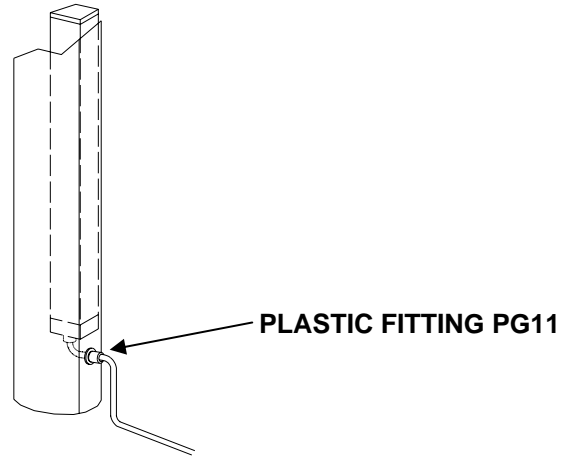


Figure 5

DIMENSIONS

MODELO	FMC-EB2	FMC-EB4	FMC-EB 1700	FMC-EB2000
DIMENSION 'A' (mm)	1000	1330	1670	1970
DIMENSION 'B' with FMC-CB base (mm)	1055	1385	1725	2025
DIMENSION 'B' with FMC-CBL base (mm)	1034	1364	1704	2004
Applicable EOS Model	2B - 300 - 450 - 600	3B - 4B- 750 - 900-1050	1200 - 1350	1500

Table 2

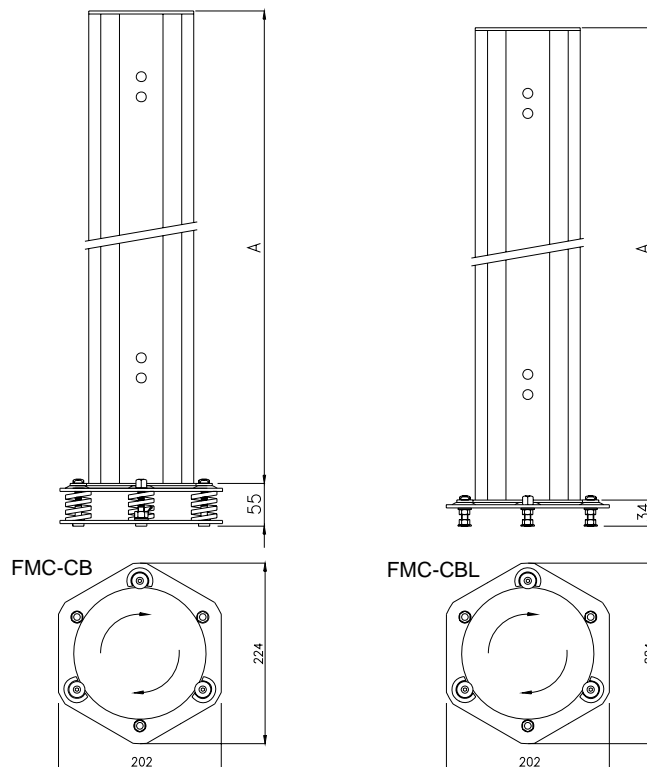


Figure 6