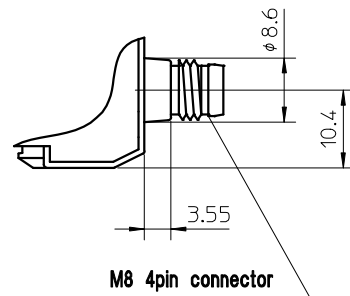
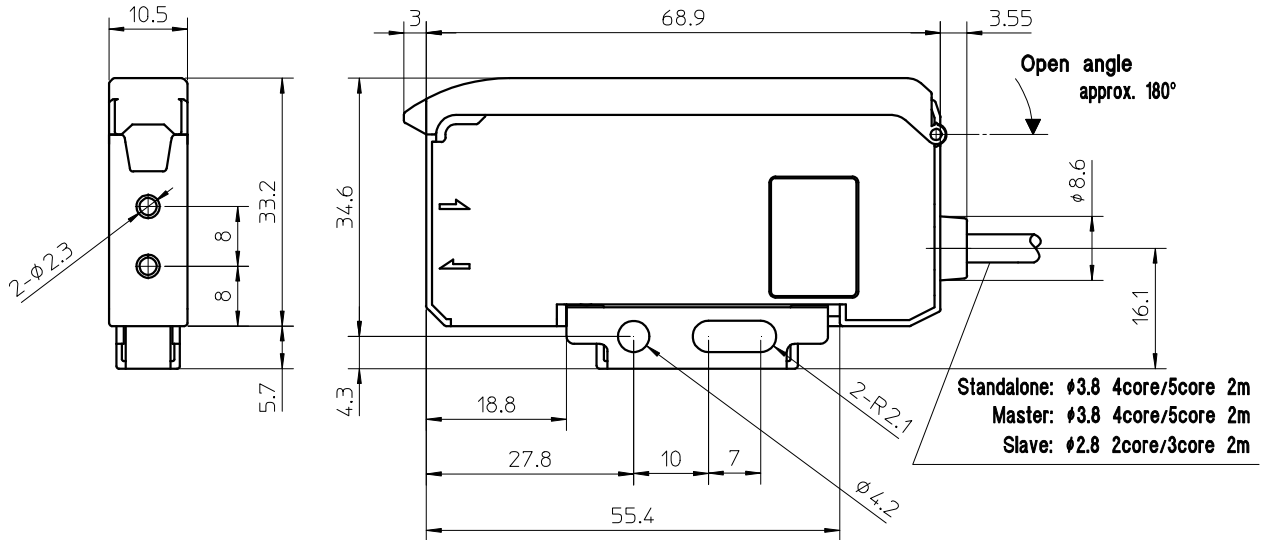
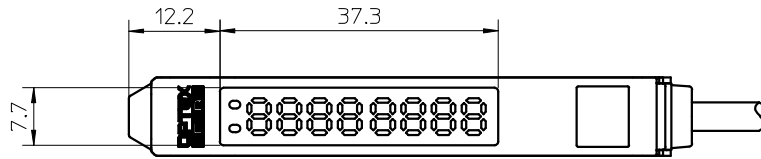
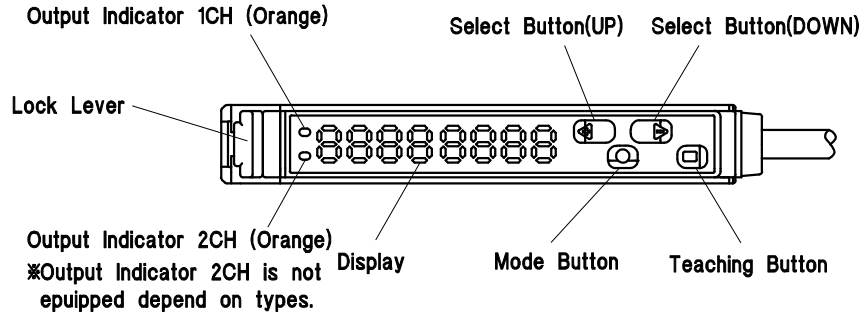


X110-Q009



CON.NO	QUAN	NAME		MATERIAL	STANDARD	DISPOSAL	REMARKS
<b>A4</b>	SCALE 1 / 1	UNIT m.m.	DATE 2009.06.15	DESCRIPTION <b>D3RF/D3IF</b>			
APPROVED BY T.Yuguchi	CHECKED BY S.Nishimura	DRAWN BY S.Horiike	DESIGNED BY S.Horiike	Stand alone model with bracket			
3RD ANGLE PROJECTION				ITEM <b>DIMENSIONAL DRAWING</b>			
				DRAWING NO <b>X110-Q009</b>			