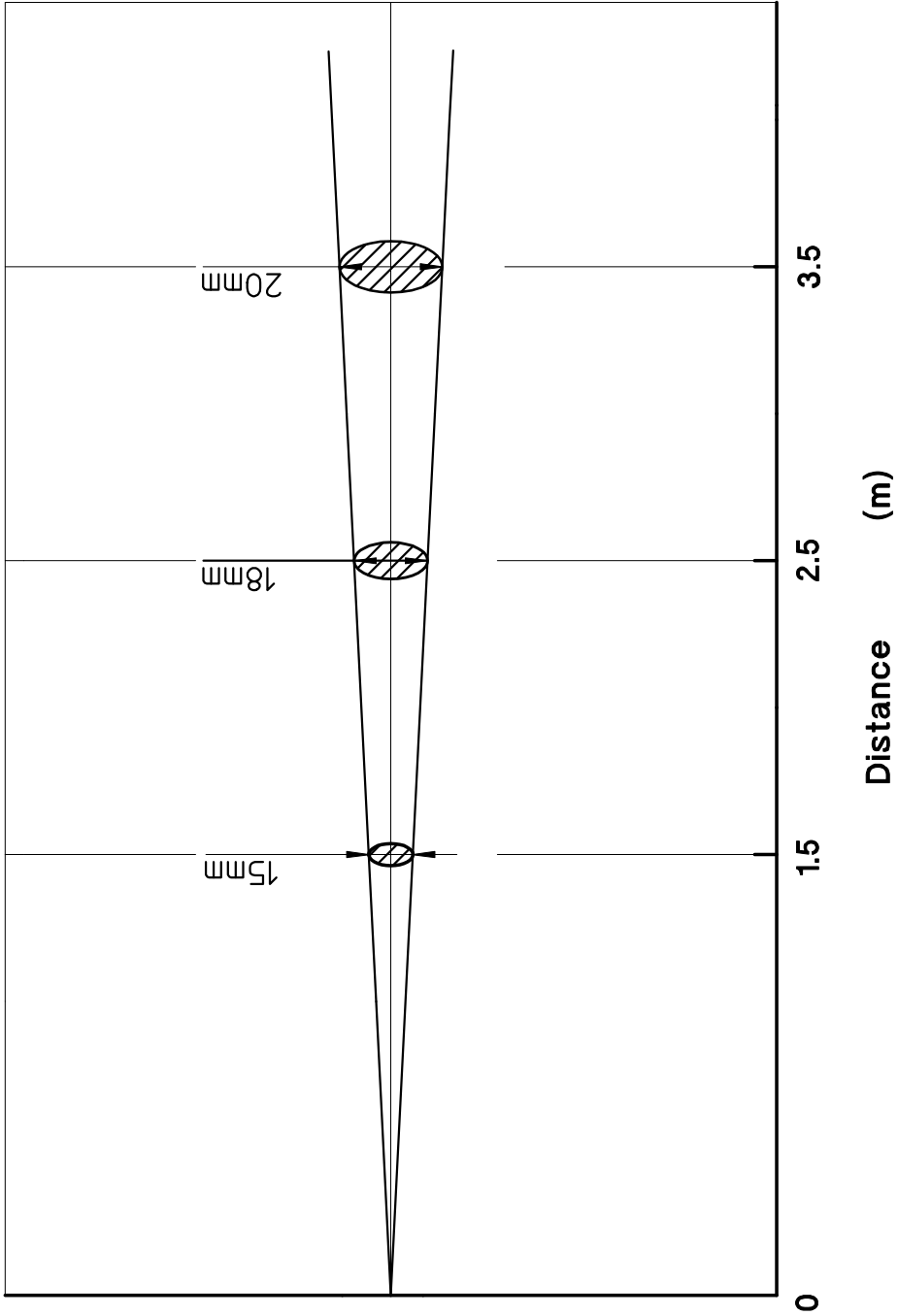


X67-W412E

CON.NO	QUAN	NAME		MATERIAL	STANDARD	DISPOSAL	REMARKS
<b>A4</b>	SCALE <b>X</b>	UNIT <b>X</b>	DATE <b>2003.6.30</b>	DESCRIPTION <b>DR-Q150/400</b>			
APPROVED BY <b>K.Matsumoto</b>	CHECKED BY <b>R.Kumo</b>	DRAWNED BY <b>S.Nishimura</b>	DESIGNED BY <b>S.Nishimura</b>	ITEM <b>Spot Size</b>			
3RD ANGLE PROJECTION	OPTEX FA CO.,LTD.			DRAWING NO	<b>X67-W412E</b>		