

# QL LAB KIT series



## QL Lab Kit Assembly List

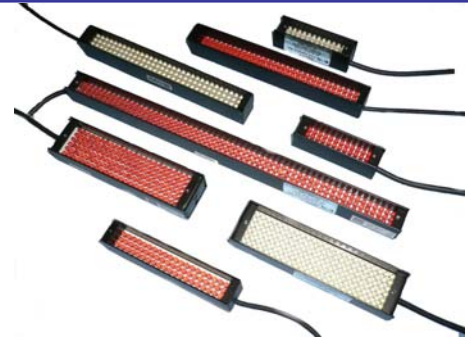
Part Number	Description	Quantity
QSQ-070070-66	Direct Ring-Square 70mm, Red	1
QSQ-070070-SW	Direct Ring-Square 70mm, White	1
QSQ-070070-IR95	Direct Ring-Square 70mm, IR 950	1
QRL-090050-66	Direct Ring-90mm, Red	1
QBR-061016-66	Direct Bar Light 61mm x 16.5mm, Red	2
QBR-109028-66	Direct Bar Light-109mm x 28mm, Red	2
QBR-257016-66	Direct Bar Light 257mm x 16mm, Red	1
QBR-144016-66	Direct Bar Light-144mm x16.5mm, Red	1
QBR-109028-SW	Direct Bar Light-109mm x 28mm, White	1
QLA-074050-66	Low Angle Ring-74mm, Red	1
QDF-075045-66	Dark Field-75mm, Red	1
QCO-052050-66	On Axis-52mm x 50mm ELA, Red	1
QLC-200-24V	QL Series Overdriving Controller	1
QRK-44T-1.5	1.5m Extension cable, flying leads	1

# QL series

- High intensity
- 24 Volt input
- Industry standard rugged connectors and cables
- Compact size
- Value priced

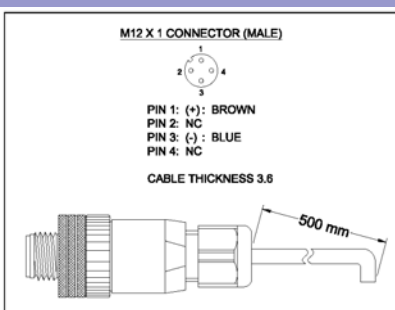
Quality, features and pricing  
for a new Vision World

## QBR DIRECT BAR LIGHTS



Part number	Color	Power	Weight	Diffuser	Polarizer
QBR-061016-	66 / IR95 47 / 52 / SW	24V / 2.4W 24V / 2.9W	55 g	DF-QBR-061016	PL-QBR-061016
QBR-109016-	66 / IR95 47/ 52 / SW	24V / 4.8W 24V / 5.8W	85 g	DF-QBR-109016	PL-QBR-109016
QBR-144016-	66 IR95 47 / 52 / SW	24V / 4.8W 24V / 7.2W 24V / 7.7W	105 g	DF-QBR-144016	PL-QBR-144016
QBR-257016-	66 IR95 47 / 52 / SW	24V / 9.0W 24V / 9.6W 24V / 14.4W	180 g	DF-QBR-257016	PL-QBR-257016
QBR-109028-	66 47 / 52 / SW IR95	24V / 7.2W 24V / 8.7W 24V / 9.6W	115 g	DF-QBR-109028	PL-QBR-109028
QBR-144028-	66	24V / 8.9W	140 g		

- All QL series lights come standard with a 500mm cable and a quick disconnect M12 connector.
- For connection to **QLC-200-24V** controller or direct to 24VDC power supply (QPS-24V), use QRK-44T-n (n=2,3,5) extension cable.
- For connection to CCS 24V power supplies, use QADC-01 adaptor.



### Part number designation

QBR-xxxxyy-zz  
xxx : case length in mm  
yyy : case height in mm

zz : 66 660 nm Red  
47 470 nm Blue  
52 525 nm Green  
IR95 950 nm Infrared  
SW White

# QL series

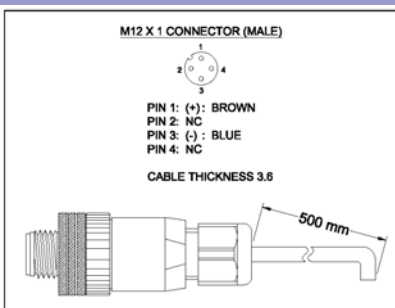
Quality, features and pricing  
for a new Vision World

## QCO ON AXIS LIGHTS

- High intensity
- 24 Volt input
- Industry standard rugged connectors and cables
- Compact size
- Value priced



Part number	Color	Power	Weight
QCO-034031-	66	24V / 3.6W	150 g
	47 / 52 / SW	24V / 3.4W	
QCO-052050-	66	24V / 7.2W	330 g
	47 / 52 / SW	24V / 9.3W	
QCO-073070-	66	24V / 12.6W	580 g
	47 / 52 / SW	24V / 18.2W	



- All QL series lights come standard with a 500mm cable and a quick disconnect M12 connector.
- For connection to **QLC-200-24V** controller or direct to 24VDC power supply (QPS-24V), use QRK-44T-n (n=2,3,5) extension cable.
- For connection to CCS 24V power supplies, use QADC-01 adaptor.

### Part number designation

QBR-xxxxyy-zz  
xxx : case length in mm  
yyy : case height in mm

zz : 66 660 nm Red  
47 470 nm Blue  
52 525 nm Green  
IR95 950 nm Infrared  
SW White

# QL series

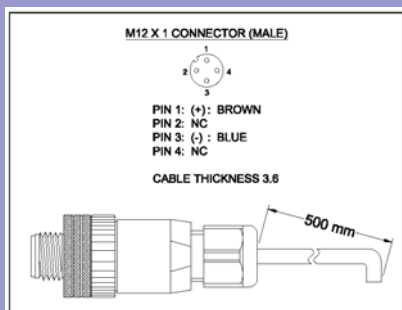
Quality, features and pricing  
for a new Vision World

## QLA LOW ANGLE LIGHTS

- High intensity
- 24 Volt input
- Industry standard rugged connectors and cables
- Compact size
- Value priced



Part number	Color	Power	Weight
QLA-074050-	66	24V / 5.4W	70 g
	IR95	24V / 6.0W	
QLA-134096-	47 / 52 / SW	24V / 7.2W	255 g
	66	24V / 12.6W	
QLA-208172-	47 / 52 / SW	24V / 20.2W	305 g
	66	24V / 21.6W	
	47 / 52 / SW	24V / 27.7W	



- All QL series lights come standard with a 500mm cable and a quick disconnect M12 connector.
- For connection to **QLC-200-24V** controller or direct to 24VDC power supply (QPS-24V), use QRK-44T-n (n=2,3,5) extension cable.
- For connection to CCS 24V power supplies, use QADC-01 adaptor.

### Part number designation

QBR-xxxxyy-zz  
xxx : case length in mm  
yyy : case height in mm

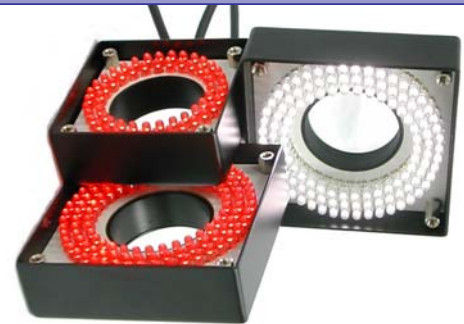
zz : 66 660 nm Red  
47 470 nm Blue  
52 525 nm Green  
IR95 950 nm Infrared  
SW White

# QL series

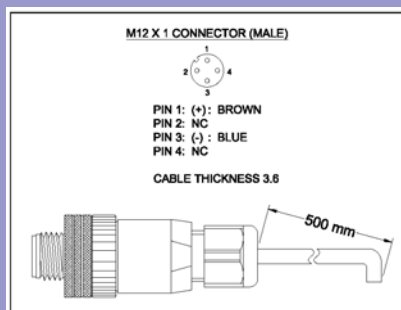
Quality, features and pricing  
for a new Vision World

- High intensity
- 24 Volt input
- Industry standard rugged connectors and cables
- Compact size
- Value priced

## QSQ SQUARE RING LIGHTS



Part number	Color	Power	Weight	Diffuser	Polarizer
QSQ-056056-	66	24V / 3.0W	90 g	DF-QSQ-056056	PL-QSQ-056056
	47/52/SW	24V / 4.8W			
QSQ-070070-	66	24V / 6.0W	130 g	DF-QSQ-070070	PL-QSQ-070070
	47/52/SW/IR95	24V / 9.6W			



- All QL series lights come standard with a 500mm cable and a quick disconnect M12 connector.
- For connection to **QLC-200-24V** controller or direct to For connection to QLC-200-24V controller or direct to 24VDC (QPS-24V), use QRK-44T-n (n=2,3,5) extension cable.
- For connection to CCS 24V power supplies, use QADC-01 adaptor.

### Part number designation

QBR-xxxxyy-zz  
xxx : case length in mm  
yyy : case height in mm

zz : 66 660 nm Red  
47 470 nm Blue  
52 525 nm Green  
IR95 950 nm Infrared  
SW White

# QL series

Quality, features and pricing  
for a new Vision World

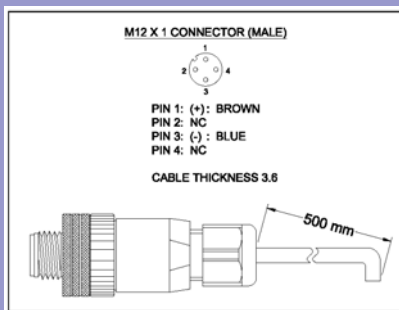
## QBL BACK LIGHTS

- High intensity
- 24 Volt input
- Industry standard rugged connectors and cables
- Compact size
- Value priced



Part number	Color	Power	Weight
QBL-030030-	66	24V / 1.8W	50 g
	47 / SW	24V / 2.9W	
QBL-060060-	66	24V / 7.2W	110 g
	47 / SW	24V / 11.6W	
QBL-120120-	66	24V / 23.1W	310 g
	47 / SW	24V / 21.6W	
QBL-180180-	66	24V / 38.9W	750 g
QBL-240240-	66	24V / 69.2W	1000 g
QBL-180120-	66	24V / 34.6W	460 g
QBL-240120-	66	24V / 34.6W	600 g

- All QL series lights come standard with a 500mm cable and a quick disconnect M12 connector.
- For connection to **QLC-200-24V** controller or direct to For connection to QLC-200-24V controller or direct to 24VDC (QPS-24V), use QRK-44T-n (n=2,3,5) extension cable.
- For connection to CCS 24V power supplies, use QADC-01 adaptor.



### Part number designation

QBR-xxxxyy-zz  
xxx : case length in mm  
yyy : case height in mm

zz : 66 660 nm Red  
47 470 nm Blue  
52 525 nm Green  
IR95 950 nm Infrared  
SW White

# QL series

Quality, features and pricing  
for a new Vision World

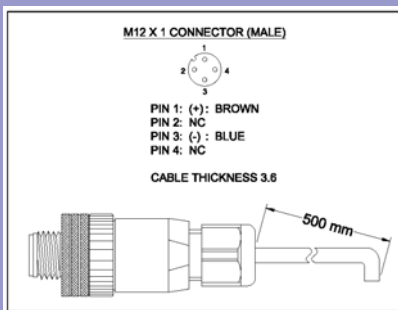
## QDF DARK FIELD LIGHTS

- High intensity
- 24 Volt input
- Industry standard rugged connectors and cables
- Compact size
- Value priced



Part number	Color	Power	Weight
QDF-075045-	66	24V / 3.0W	90 g
	47 / 52 / SW	24V / 4.8W	
QDF-090060-	66	24V / 3.0W	115 g
	47 / 52 / SW	24V / 4.8W	
QDF-138102-	66	24V / 6.0W	210 g
	47 / 52 / SW	24V / 9.6W	

- All QL series lights come standard with a 500mm cable and a quick disconnect M12 connector.
- For connection to **QLC-200-24V** controller or direct to For connection to QLC-200-24V controller or direct to 24VDC (QPS-24V), use QRK-44T-n (n=2,3,5) extension cable.
- For connection to CCS 24V power supplies, use QADC-01 adaptor.



### Part number designation

QBR-xxxxyy-zz  
xxx : case length in mm  
yyy : case height in mm

zz : 66 660 nm Red  
47 470 nm Blue  
52 525 nm Green  
IR95 950 nm Infrared  
SW White

# QL series

Quality, features and pricing  
for a new Vision World

- High intensity
- 24 Volt input
- Industry standard rugged connectors and cables
- Compact size
- Value priced

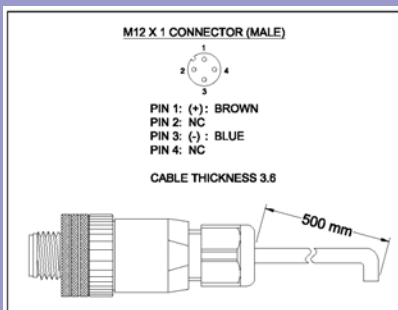
## QRL DIRECT RING



Part number	Color	Power	Weight	Diffuser*	Polarizer*
QRL-032010-	66	24V / 1.8W	30 g	DF-QRL-032010-KIT	PL-QRL-032010-KIT
	47 / 52 / SW	24V / 2.9W			
QRL-050028-	66	24V / 3.0W	60 g	DF-QRL-050028-KIT	PL-QRL-050028-KIT
	47 / 52 / SW	24V / 4.8W			
QRL-090050-	66	24V / 9.5W	145 g	DF-QRL-090050-KIT	PL-QRL-090050-KIT
	47 / 52 / SW	24V / 17.3W			

\* Includes mounting adaptor

- All QL series lights come standard with a 500mm cable and a quick disconnect M12 connector.
- For connection to **QLC-200-24V** controller or direct to For connection to QLC-200-24V controller or direct to 24VDC (QPS-24V), use QRK-44T-n (n=2,3,5) extension cable.
- For connection to CCS 24V power supplies, use QADC-01 adaptor.

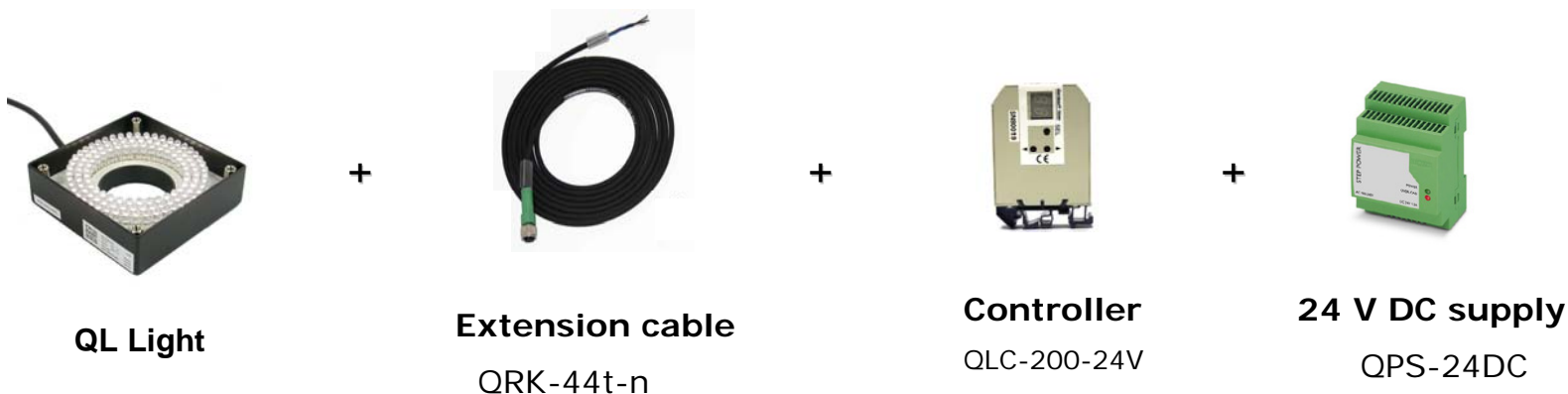


### Part number designation

QBR-xxxxyy-zz  
xxx : case length in mm  
yy : case height in mm

zz : 66 660 nm Red  
47 470 nm Blue  
52 525 nm Green  
IR95 950 nm Infrared  
SW White

# Connecting QL Lights to the QLC-200-24V



## Part Numbers

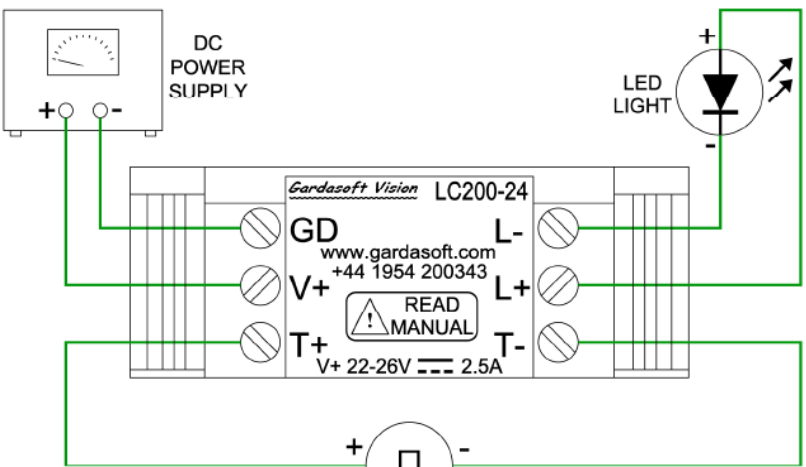
Extension Cable	Controller	24 V DC Supply
QRK Series	QLC-200-24	QPS-24DC

## Extension Cable Part numbers

Part Number	Length (m)
QRK-44T-2	2
QRK-44T-3	3
QRK-44T-5	5

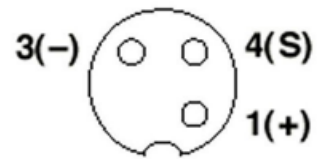
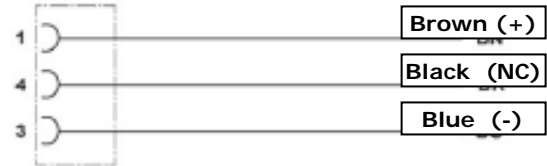
# Connections

**QLC-200 Connection Diagram**



**QLC-200 Controller**

**QRK-44T-n Cable Schematic Diagram**



**M12 socket, 4-position, female**



**QRK-44T-n (n= 2,3,5) Extension Cable**