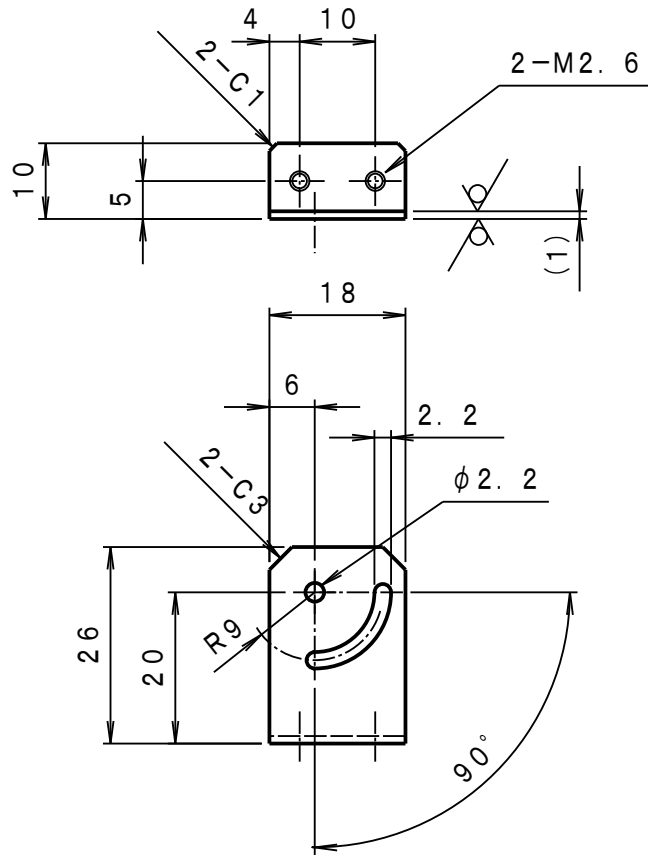
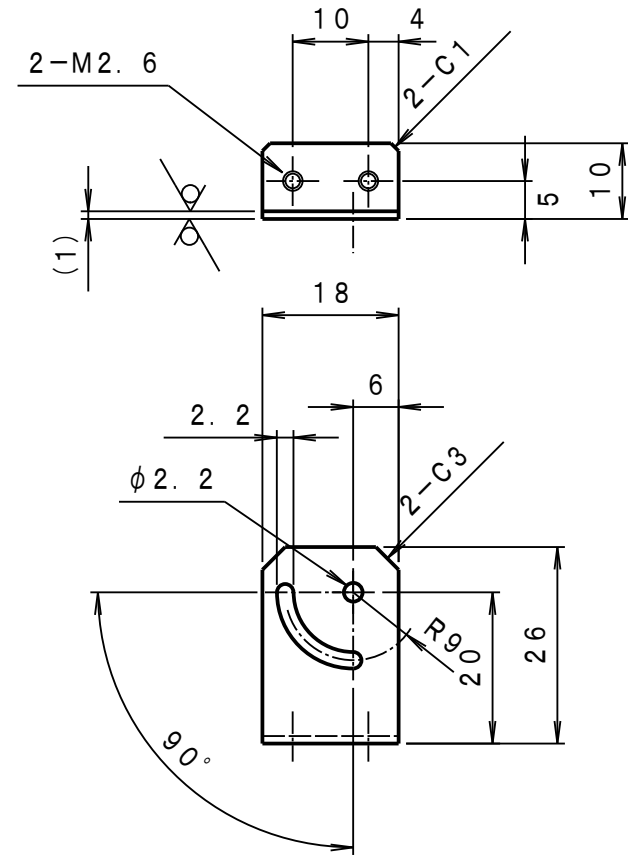


Component 1



Component 2



Spring washer M2black 5pieces
 Flat washer M2black 5pieces
 Screw M2X6 5pieces

Scale
 1/1

Date
 Oct. 13, 2005

Designed by
 Y. Takeyama

Approved by
 K. Imooka

Model
 BK-LDQ-L2
 Drawing No.
 307-900