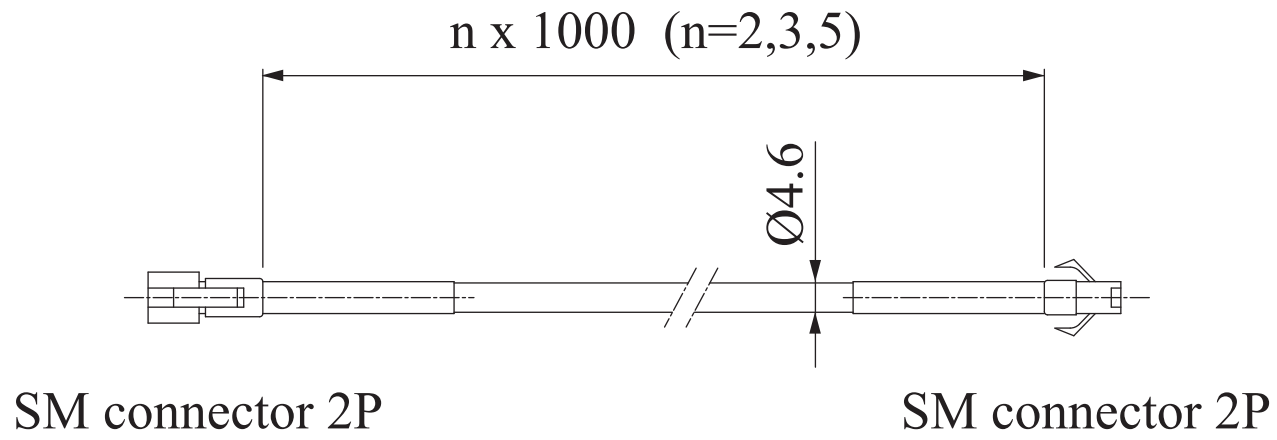


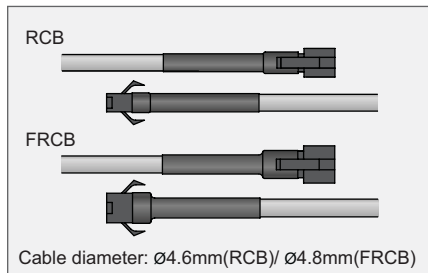
RCB-n (n=2,3,5)

Third Angle Projection Units: mm



Robot Cables

These cables stand up even to a 10 million-repetition bending test.



12V	RCB-1	Robot cable to connect a 12-V light to a power unit.	Cable length: 1m
	RCB-2		Cable length: 2m
	RCB-3		Cable length: 3m
	RCB-5		Cable length: 5m
24V	FRCB-1	Robot cable to connect a 24-V light to a power unit.	Cable length: 1m
	FRCB-2		Cable length: 2m
	FRCB-3		Cable length: 3m
	FRCB-5		Cable length: 5m

* When using a robot cable, secure the section of the cable that connects to the light, including the connector.