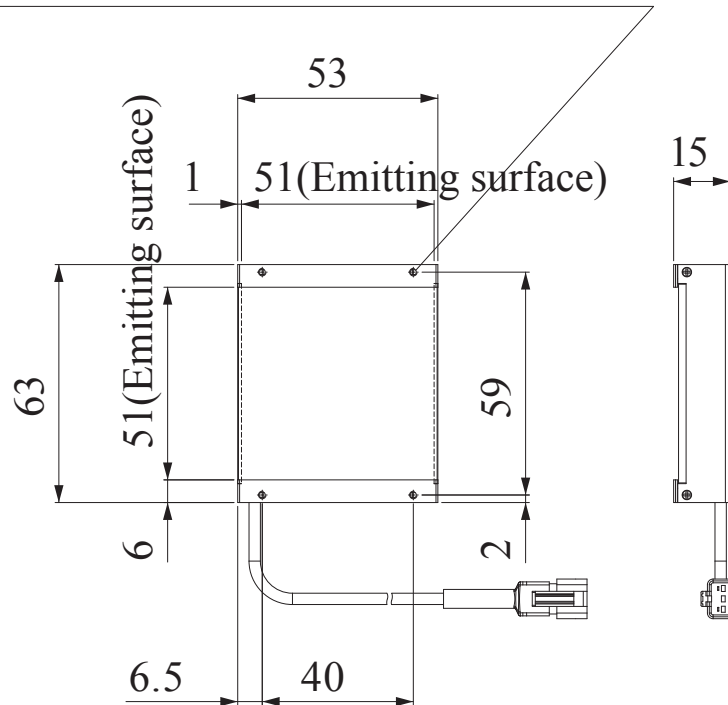


TH-51X51RD

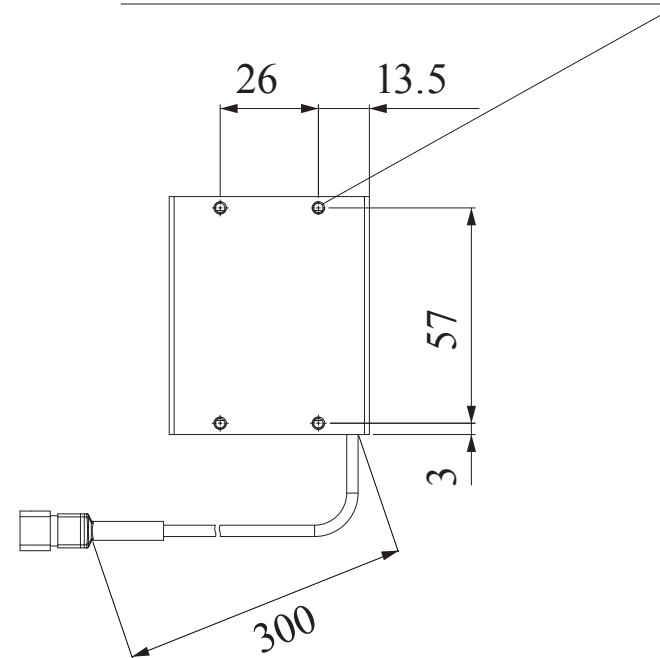
Model name	TH-51X51RD
LED color	Red
Input voltage	24VDC
Power consumption	5.1W max.
Weight	60g
Connector	SMR-03V-B
Polarity and signal	1: (+), 2: NC, 3: (-)

Third Angle Projection Units: mm

4-M2 depth 4 (For optional product)



4-M3 depth 4 (For installation)



2 slots for M3 nuts (Provided on both sides)

