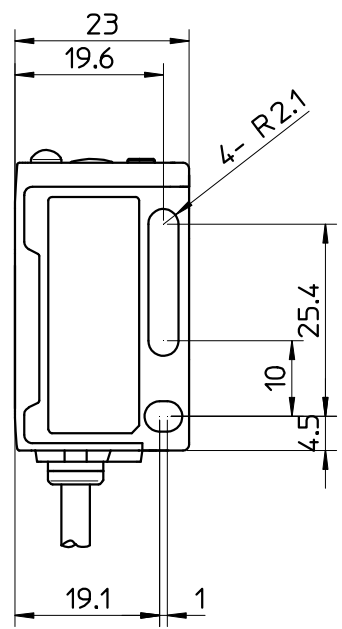
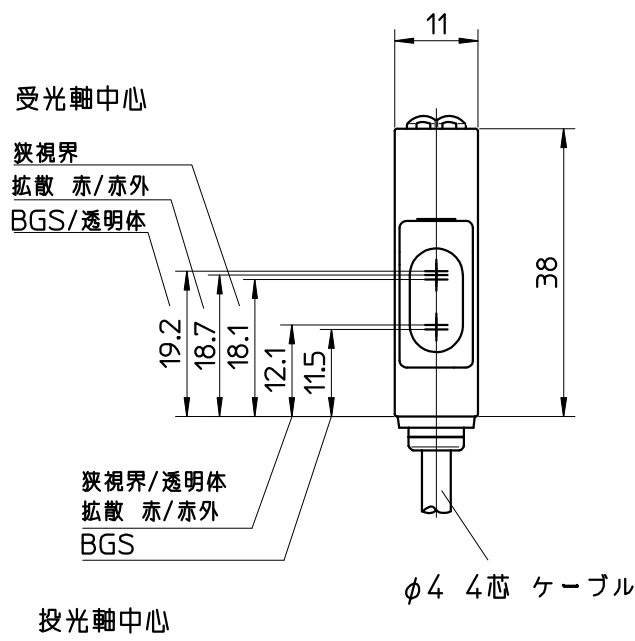
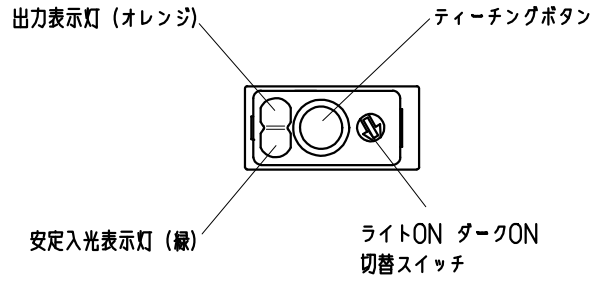


X54-Q011

CON.NO	QUAN	NAME			MATERIAL	STANDARD	DISPOSAL	REMARKS
<b>A4</b>	SCALE 1 / 1	UNIT mm	DATE 2000.9.12	DESCRIPTION J2 シリーズ 縦型 ケーブルタイプ				
APPROVED BY K.Matsumoto	CHECKED BY R.Kumo	DRAWN BY S.Nishimura	DESIGNED BY S.Nishimura	ITEM 外形寸法図				
3RD ANGLE PROJECTION	OPTEX FA CO.,LTD.				DRAWING NO	X54-Q011		