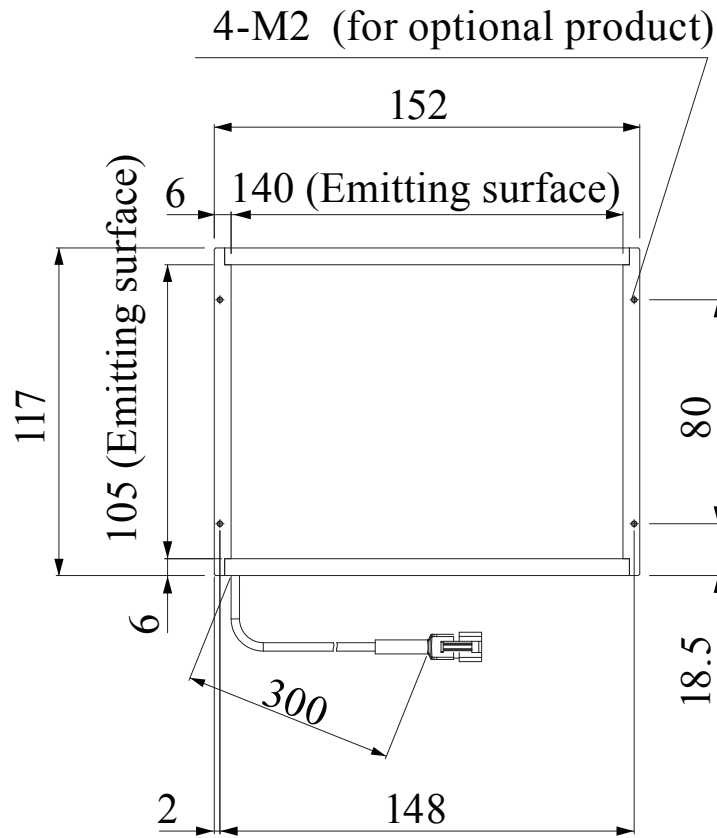


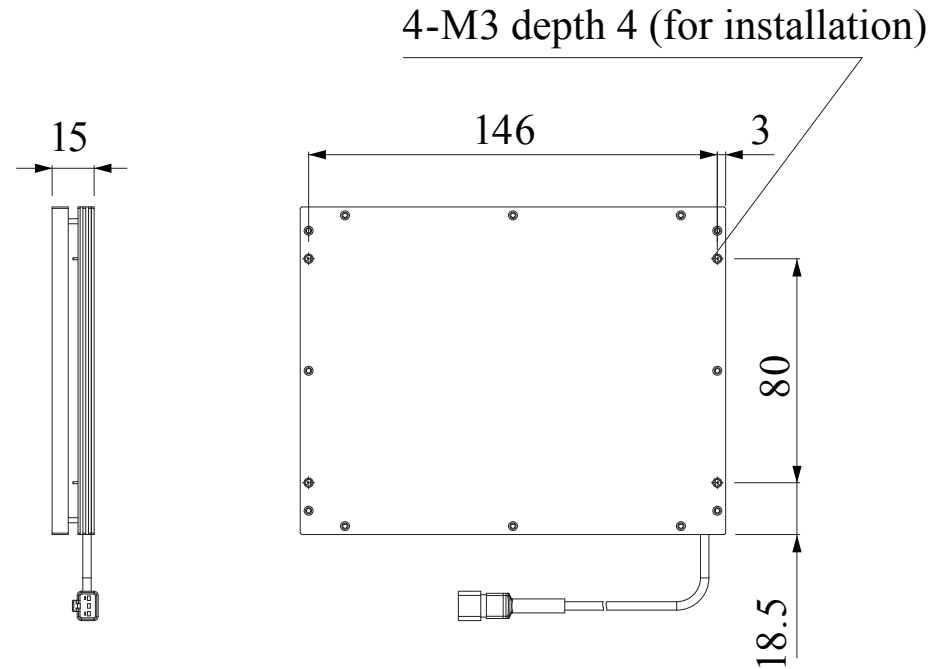
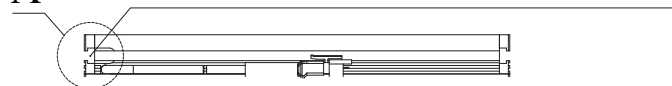
TH-140X105SW

Model name	TH-140X105SW
LED color	White
Input voltage	-
Power consumption	24W max.
Weight	260g
Connector	SMR-03V-B
Polarity and signal	1: (+), 2: NC, 3: (-)

Third Angle Projection Units: mm



A Four slots for M3 nuts



Nut slot detail diagram A

