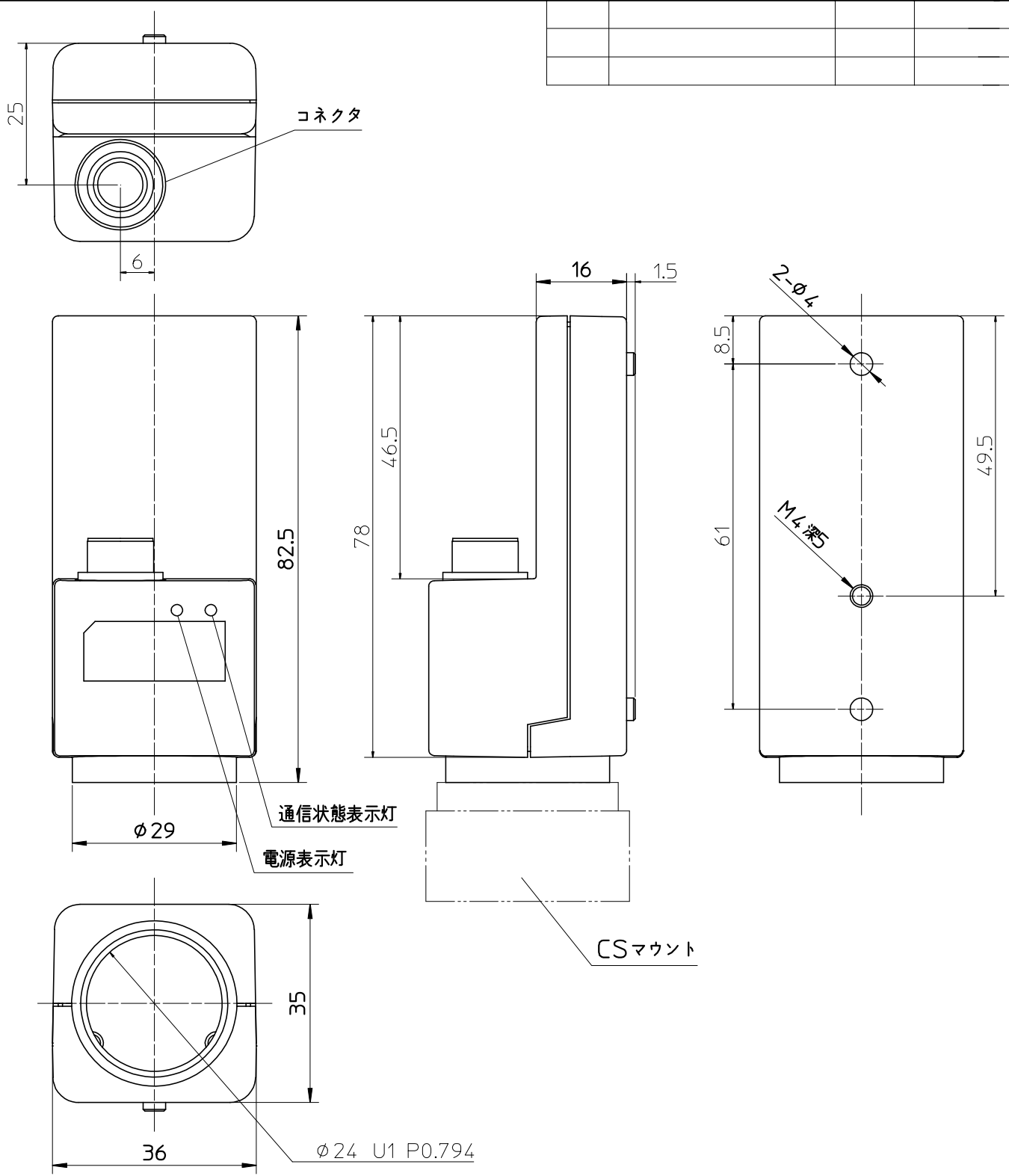


Y10-Q003



CON.NO	QUAN	NAME	MATERIAL	STANDARD	DISPOSAL	REMARKS
A4	SCALE 1 / 1	UNIT m.m	DATE 2007.3.22	DESCRIPTION MVS-PM		
APPROVED BY T.Yuguchi	CHECKED BY M.Kaneshige	DRAWN BY T.Yuguchi	DESIGNED BY T.Yuguchi	ITEM 外形寸法図		
3RD ANGLE PROJECTION	OPTEX FA CO.,LTD.		DRAWING NO	Y10-Q003		