

L7 Enclosure

Harsh Environment

Good for Washdown Areas

Product Features

- Built for highly corrosive environments
- Designed for InSight 7000 series camera
- Meets IP66 standards (depending on configuration)
- 316 stainless steel construction
- Designed to work in food applications
- Camera to Viewport distance can be changed to handle long or wide angle lenses
- Comes standard with glass or polycarbonate viewport
- Works with pre-made cables

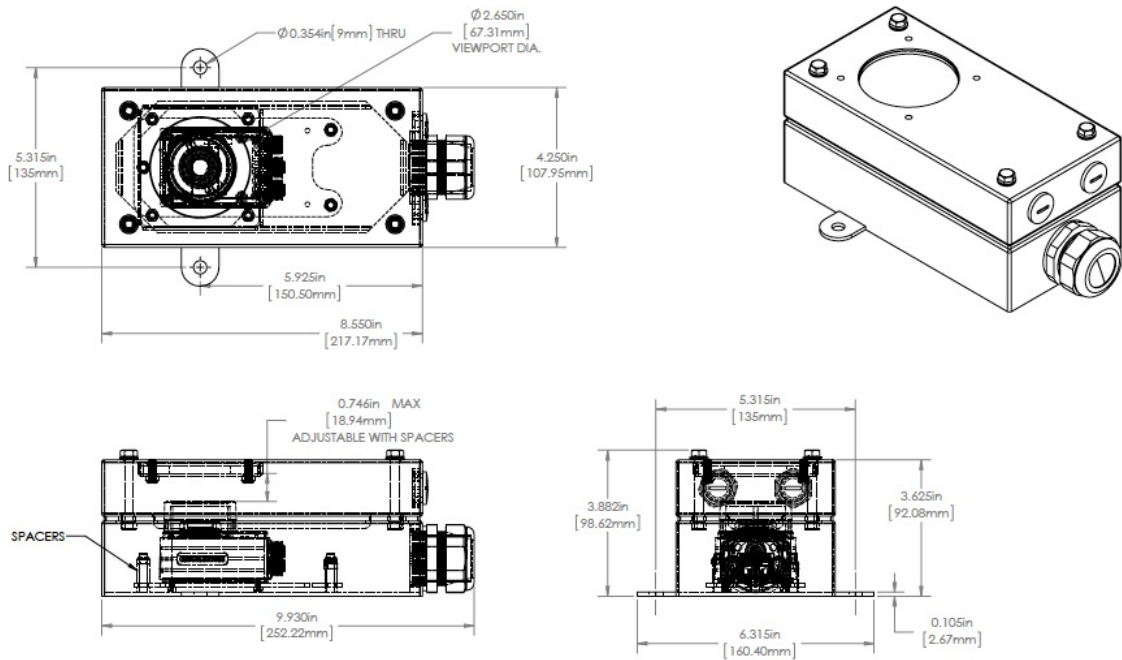


The L7 enclosure is a 316 stainless steel housing for your InSight 7000 series camera. Designed to work in highly corrosive environments, it also is designed to work in food applications, with care taken to reduce pockets where water might sit. The enclosure is highly configurable, with options for both drillable and single cable cord grips, air cooling options and an air curtain faceplate option. The standard cable gland at the bottom of the enclosure uses a split insert to provide a watertight seal around one or more cables. The gland allows passage of the standard I/O and power cable (and the Ethernet cable) without removal of the connectors from the cables.

The enclosure is designed so that once the enclosure cover is removed, the user has full access to the lens, taking the guesswork out of changing focus and f-stop settings.

The standard L7 enclosure handles a lens length of 30mm, and spacers allow the lens to be adjusted close to the viewport to reduce reflections. The enclosure also is designed to readily accommodate large diameter lenses or ringlights up to 65mm in diameter (lit area).





Enclosure is constructed of 16 gauge 316 stainless steel.
 All external fasteners are 316 stainless steel.
 Fasteners, (4) M3x6 fasteners to mount the IS7000 series camera are included.
 Enclosure meets NEMA 4X standards when equipped with single cable cord grips.
 Weight: 4.6 lb.

Part Number	Description
L7-AX	Cognex InSight 7000 (with C-Mount), Sealed, Acrylic VP