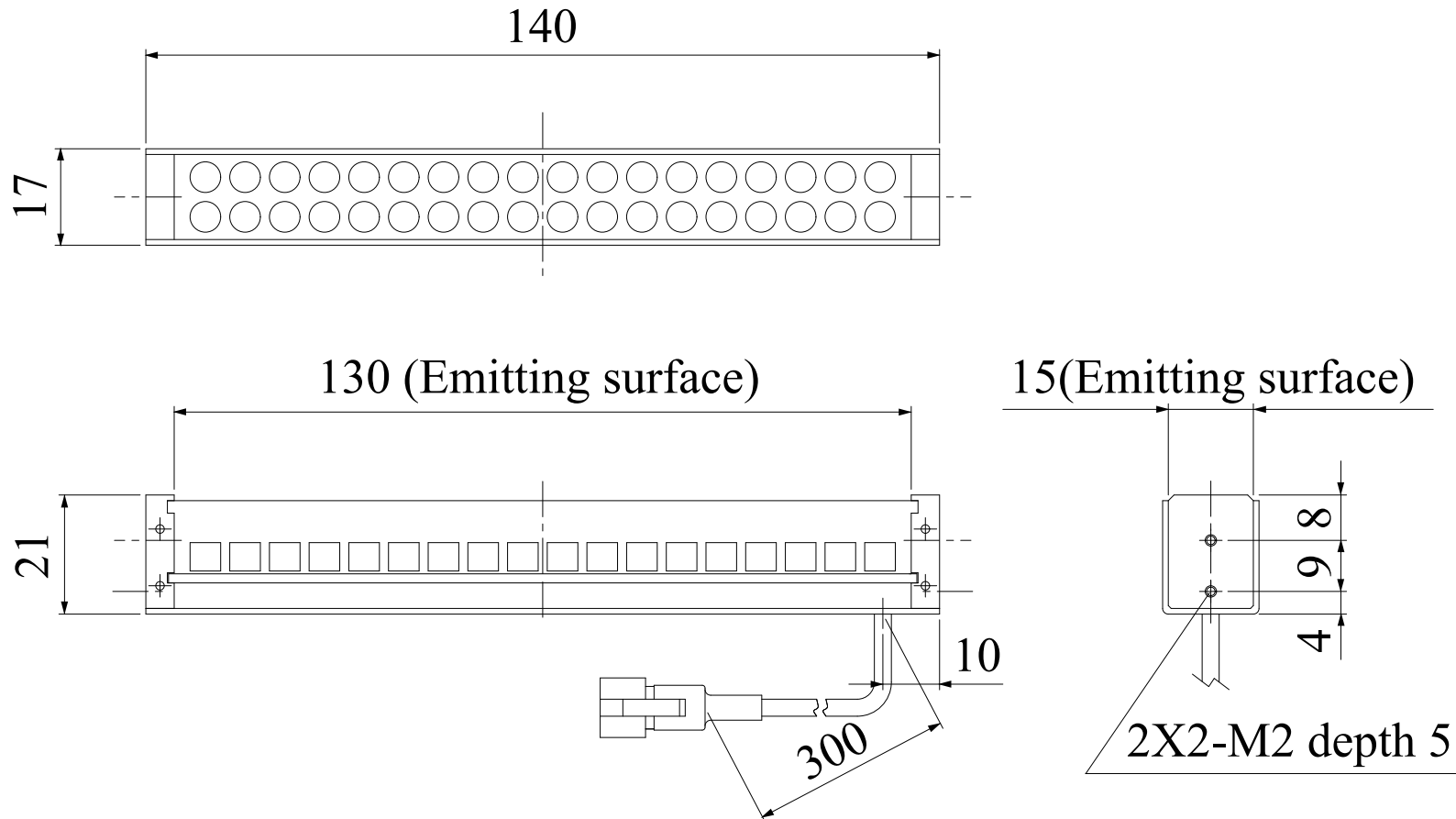


# LDL-130X15UV365

Model	LDL-130X15UV365
Voltage	24V DC
Power consumption	2.2W
Mass	90g
Connector type	3P (1: +, 2: NC, 3: -)

Third Angle Projection Units: mm





# Ultraviolet Lights UV Series

**Spark-prevention structure achieves enhanced safety and reliability**  
Use of an original UV light LED with a peak wavelength of 365nm and a directional pattern of  $\pm 20^\circ$



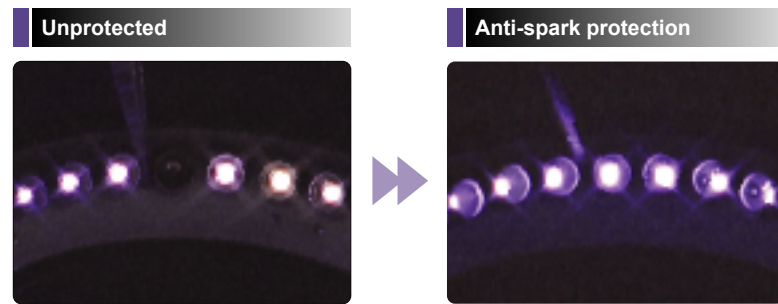
## Employment of original ultraviolet LED achieving even higher safety and reliability

CCS's proprietary LED package with anti-spark protection



While an LED usually has two leads, CCS's original ultraviolet LED is provided with an additional lead. This unique structure has achieved a spark prevention effect.

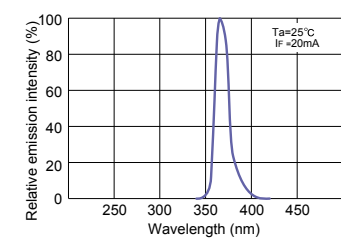
Unprotected UV light model vs. new model with anti-spark protection



Many ultraviolet LEDs have packages made from iron alloy, making them vulnerable to static electricity. This has created a major problem with individual LED failure due to a spark occurring when there is contact with a piece of conductive material. CCS's original ultraviolet LED has eliminated this problem by employing a proprietary anti-spark protection feature.

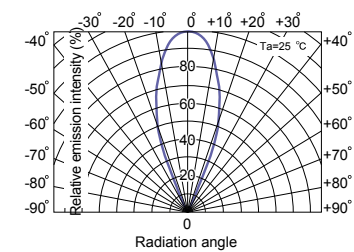
## Wavelength of 365 nm and LED light spread of $\pm 20^\circ$

Distribution of emission spectrum of UV light LED



The original UV light LED is available with a peak wavelength of 365nm and a directional pattern of  $\pm 20^\circ$ . The use of a single wavelength as a characteristic of the LED gives a more precise image of the characteristics of a workpiece compared with the use of conventional black lights, and allows for stable shooting over an extended period of time. A wide product lineup offers optimum lighting solutions best suited to a variety of inspection objects, inspection environments and optical systems.

Directional pattern of UV light LED



## Option filter

Ultraviolet transmission filter

Ultraviolet cutting filter



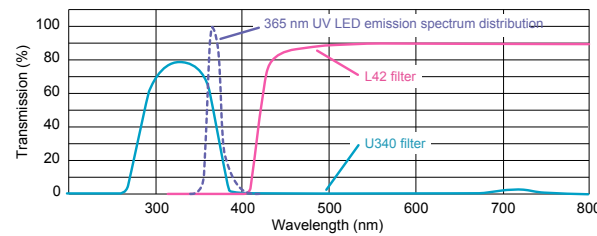
U340 Series

Model	Size
U340-25	M25.5 P0.5
U340-27	M27.0 P0.5
U340-30	M30.5 P0.5
U340-40	M40.5 P0.5
U340-46	M46.0 P0.75

L42 Series

Model	Size
L42-25	M25.5 P0.5
L42-27	M27.0 P0.5
L42-30	M30.5 P0.5
L42-40	M40.5 P0.5
L42-46	M46.0 P0.75

Filter characteristic vs. UV LED emission spectrum distribution



## Product Lineup Table

Series	Model Name	Color	Power Consumption	Options	Dimension
LDR2	LDR2-32UV365	●	24V/0.4W	—	1
	LDR2-42UV365	●	24V/0.8W	—	
	LDR2-50UV365	●	24V/1.2W	—	
	LDR2-70UV365	●	24V/3.1W	—	2
	LDR2-90UV365	●	24V/3.8W	—	
	LDR2-90-30UV365	●	24V/6.1W	—	
SQR	LDR2-120UV365	●	24V/9.5W	—	3
	SQR-56UV365	●	24V/1.6W	—	4
	LDR2-74UV365-LA	●	24V/1.9W	—	5□
LDR2-LA	LDR2-100UV365-LA	●	24V/4.6W	—	6□
	LDR2-132UV365-LA	●	24V/6.9W	—	
	LDR2-170UV365-LA	●	24V/9.9W	—	
	LDR2-208UV365-LA	●	24V/12W	—	
	LDR-75UV365-LA-1	●	24V/1.6W	—	
LDR-LA-1	LDR-96UV365-LA-1	●	24V/2.3W	—	8
	LDR-146UV365-LA-1	●	24V/3.1W	—	

Series	Model Name	Color	Power Consumption	Options	Dimension
LDR-LA-1	LDR-176UV365-LA-1	●	24V/3.8W	—	8
	LDR-206UV365-LA-1	●	24V/4.6W	—	
LDL	LDL-34x8UV365	●	24V/0.4W	—	9□
	LDL-42x15UV365	●	24V/0.8W	—	10□
	LDL-74x27UV365	●	24V/3.1W	—	11□
	LDL-82x15UV365	●	24V/1.6W	—	12□
	LDL-130x15UV365	●	24V/2.3W	—	13□
	LDL-180x16UV365	●	24V/3.8W	—	14□
LDQ	LDQ-60-25UV365	●	24V/1.6W	—	15□
	LDQ-78UV365	●	24V/1.6W	—	16□
	LDQ-100UV365	●	24V/3.1W	—	17□
	LDQ-150UV365	●	24V/6.1W	—	18□
	LDQ-200UV365	●	24V/9.1W	—	19□
LN	LN-200UV365	●	24V/1.9W	—	20
LSP	LSP-41UV365	●	24V/1.2W	—	21

## Dimensions (Unit: mm)

Model Name	A	B	C	D
LDR2-32UV365	Ø32	Ø10	16	P.C.D.20
LDR2-42UV365	Ø42	Ø18	18	P.C.D.28
LDR2-50UV365	Ø50	Ø28	16	P.C.D.40
LDR2-90UV365	Ø90	Ø50	20	P.C.D.70
LDR2-90-30UV365	Ø90	Ø30	20	P.C.D.70

Model Name	A	B	C	D
LDR2-100UV365-LA	Ø100	Ø70	22	P.C.D.84
LDR2-132UV365-LA	Ø132	Ø96	22	P.C.D.116
LDR2-170UV365-LA	Ø170	Ø134	22	P.C.D.154
LDR2-208UV365-LA	Ø208	Ø174	22	P.C.D.186