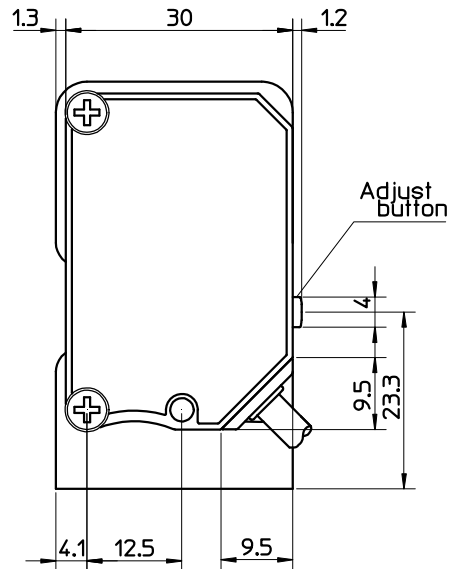
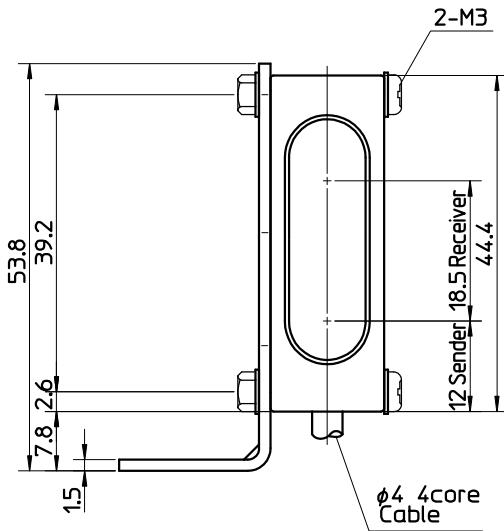
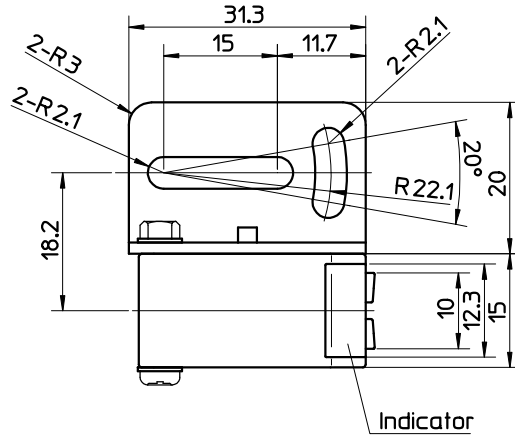


X62-Q101

Floor installation



CON.NO	QUAN	NAME		MATERIAL	STANDARD	DISPOSAL	REMARKS
<b>A4</b>	SCALE 1 / 1	UNIT m.m	DATE 2003.5.21	DESCRIPTION <b>BGS-D/FGS-D</b>			
APPROVED BY <b>K.Matsumoto</b>	CHECKED BY <b>R.Kumo</b>	DRAWN BY <b>S.Nishimura</b>	DESIGNED BY <b>S.Nishimura</b>	Cable type with bracket			
3RD ANGLE PROJECTION				ITEM		DIMENSION	
OPTEX FA CO.,LTD.				DRAWING NO		<b>X62-Q101</b>	