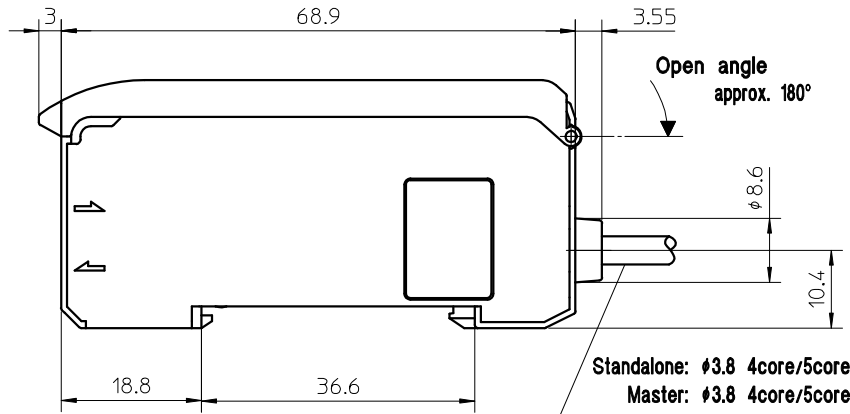
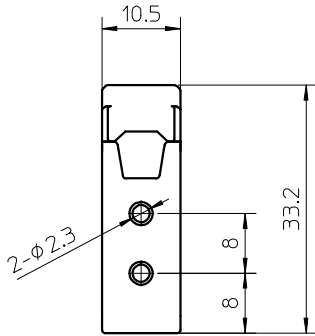
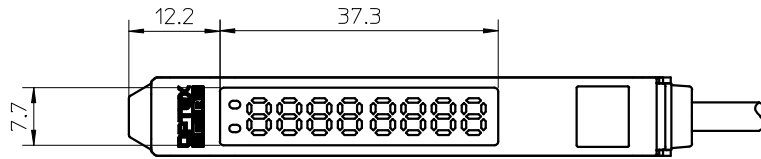
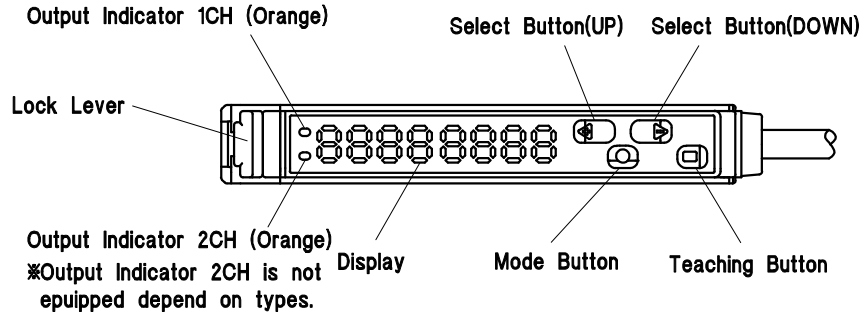
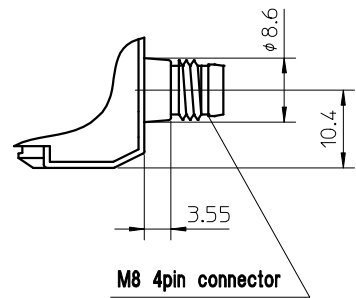


X110-Q008



Standalone: φ3.8 4core/5core 2m
 Master: φ3.8 4core/5core 2m
 Slave: φ2.8 2core/3core 2m



CON.NO	QUAN	NAME		MATERIAL	STANDARD	DISPOSAL	REMARKS
A4	SCALE 1 / 1	UNIT m.m.	DATE 2009.06.15	DESCRIPTION D3RF/D3IF Stand alone model			
APPROVED BY T.Yuguchi	CHECKED BY S.Nishimura	DRAWN BY S.Horiike	DESIGNED BY S.Horiike	ITEM DIMENSIONAL DRAWING			
3RD ANGLE PROJECTION	OPTEX FA CO.,LTD.			DRAWING NO	X110-Q008		