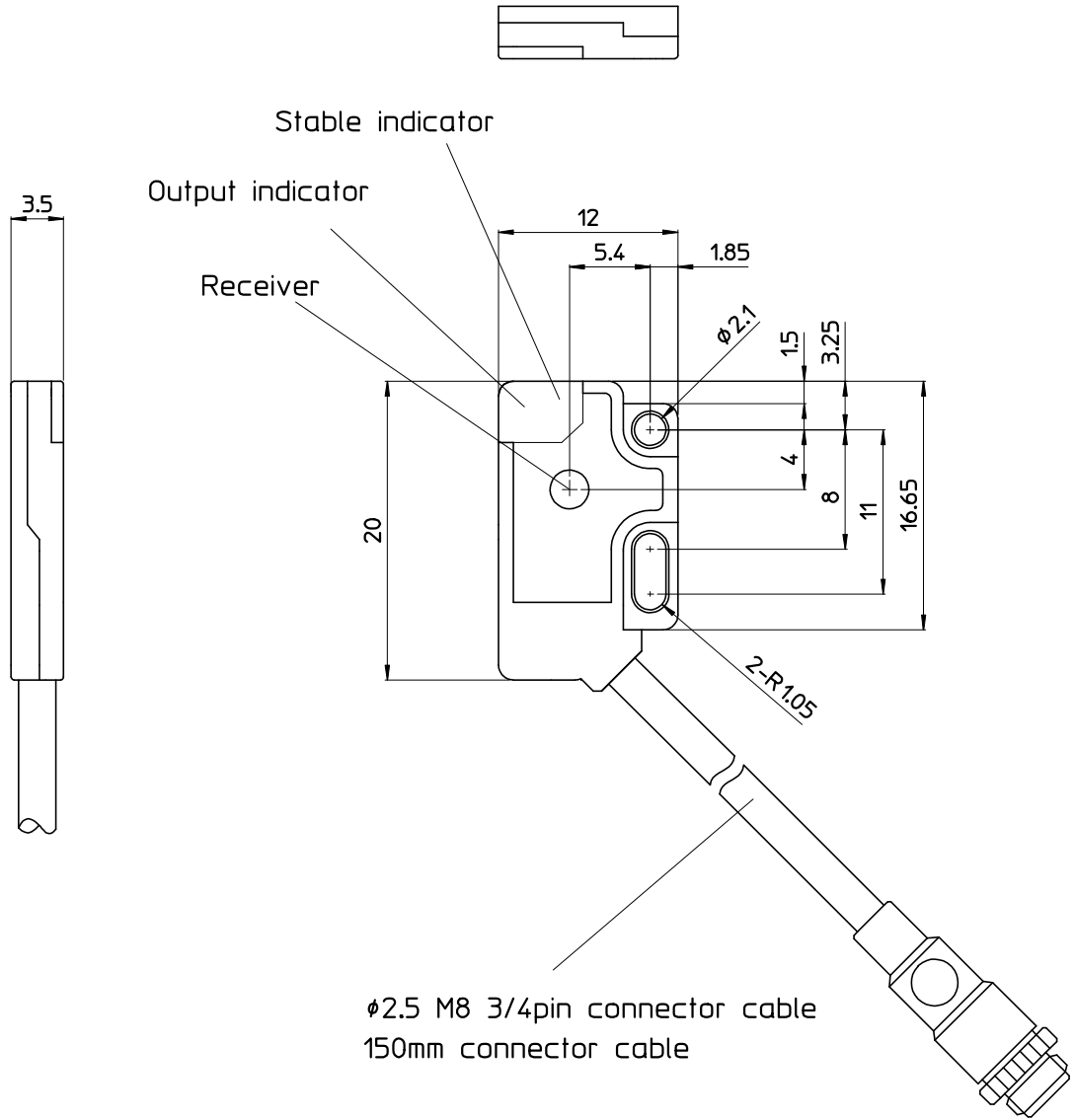


X84-Q011

CON.NO	QUAN	NAME		MATERIAL	STANDARD	DISPOSAL	REMARKS
<b>A4</b>	SCALE 2/1	UNIT m.m.	DATE 2005.5.26	DESCRIPTION ET-500 Receiver Connector type			
APPROVED BY K.Matsumoto	CHECKED BY K.Matsumoto	DRAWN BY R.Kumo	DESIGNED BY R.Kumo	ITEM Dimensions			
3RD ANGLE PROJECTION	OPTEX FA CO.,LTD.			DRAWING NO	X84-Q011		