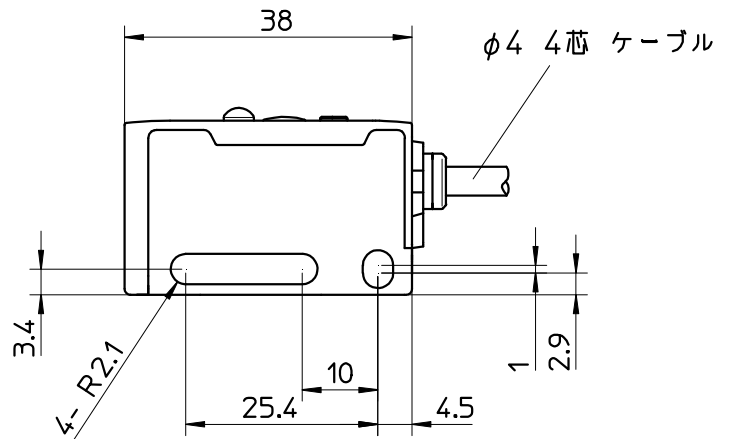
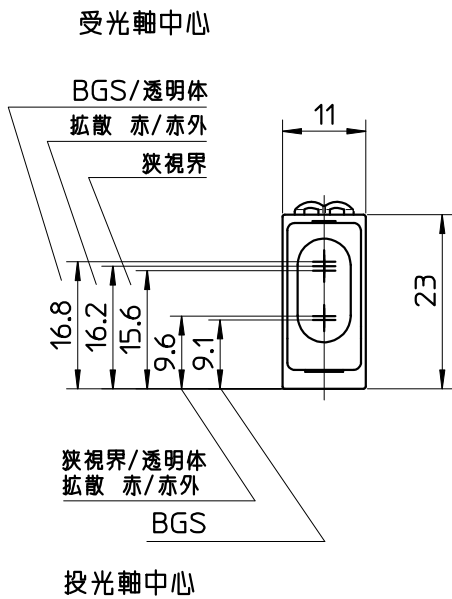
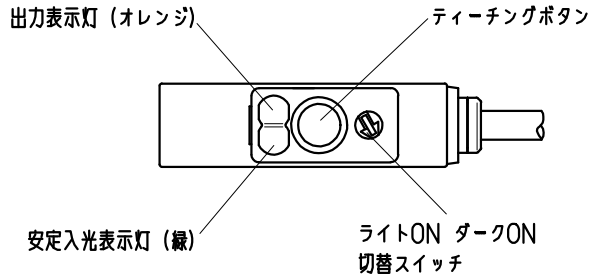


X54-Q012



CON.NO	QUAN	NAME		MATERIAL	STANDARD	DISPOSAL	REMARKS
A4	SCALE 1 / 1	UNIT mm	DATE 2000.9.12	DESCRIPTION J2 シリーズ 横型 ケーブルタイプ			
APPROVED BY K.Matsumoto	CHECKED BY R.Kumo	DRAWN BY S.Nishimura	DESIGNED BY S.Nishimura	ITEM 外形寸法図			
3RD ANGLE PROJECTION	OPTEX FA CO.,LTD.			DRAWING NO	X54-Q012		