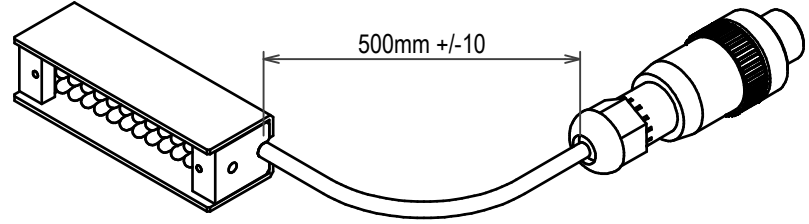
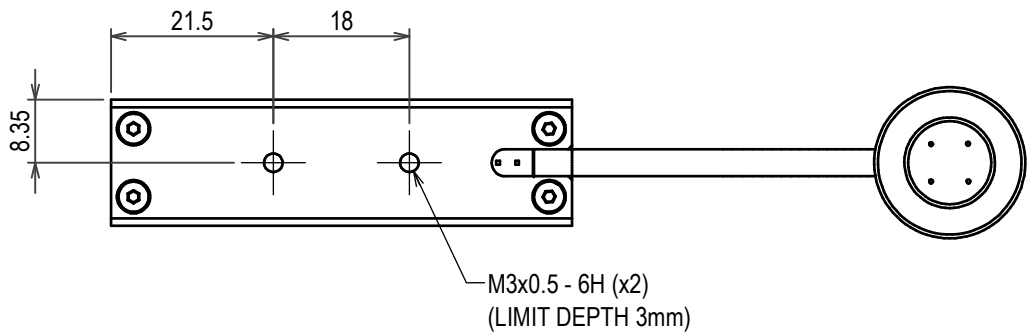
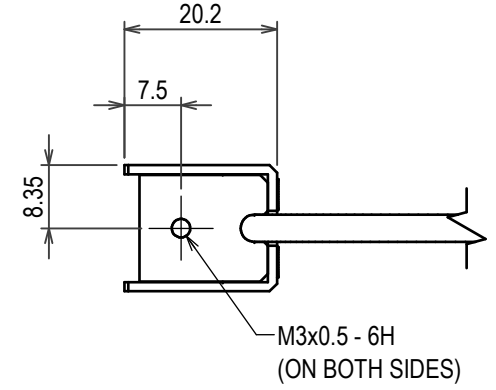
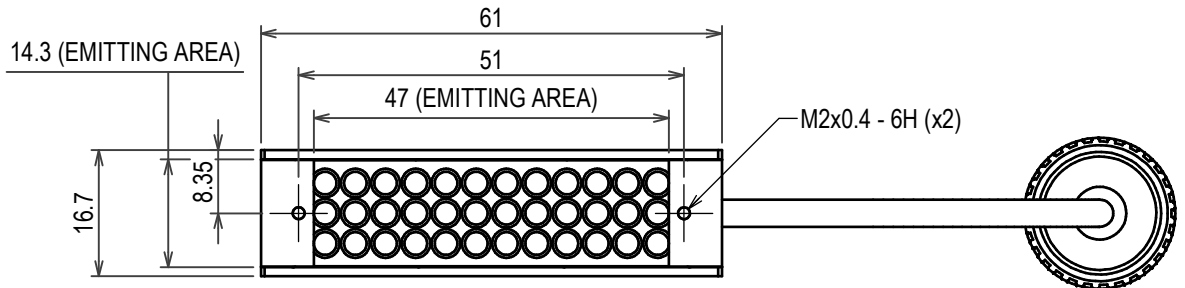


ELECTRONICS SPECIFICATIONS						
DATE	COLOR	NO. OF LED	TOTAL CURRENT	TOTAL POWER CONSUMPTION	SUPPLY VOLTAGE	
9/29/2010	WHITE	36	0.2 Amp	3 Watt	24V	
9/29/2010	RED	36	0.1 Amp	2 Watt	24V	
9/29/2010	BLUE	36	0.1 Amp	2 Watt	24V	
9/29/2010	GREEN	36	0.1 Amp	2 Watt	24V	
9/29/2010	IR	36	0.1 Amp	2 Watt	24V	



ALL UNSPECIFIED EDGES TO BE C0.3

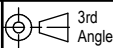


**CCS ASIA PTE LTD**

Copyright(C) 2009 CCS Asia PTE LTD. All rights reserved.  
Reproduction or photocopy without permission is prohibited.

MATERIAL		FINISH		HEAT TREATMENT	
DRAWN BY	DESIGNED BY	CHECKED BY		GENERAL TOLERANCE	
AL	AL			GTS-1	
DATE	DATE	DATE	L<=4 ± 0.05		
			4<L<=16 ± 0.10		
			16<L<=63 ± 0.15		
			63<L<=250 ± 0.20		
			L>250 ± 0.25		

EQUIPMENT NAME	QTY
DIRECT BAR LIGHT 46x14	
PROJECT NAME	
PROJECT DESCRIPTION	
PART NOS	
QBR2-061016-XX	



SHEET  
2

This information is the property of CCS Asia Pte Ltd. No part of this shall be reproduced, copied or transmitted without the written approval of CCS Asia Pte Ltd.