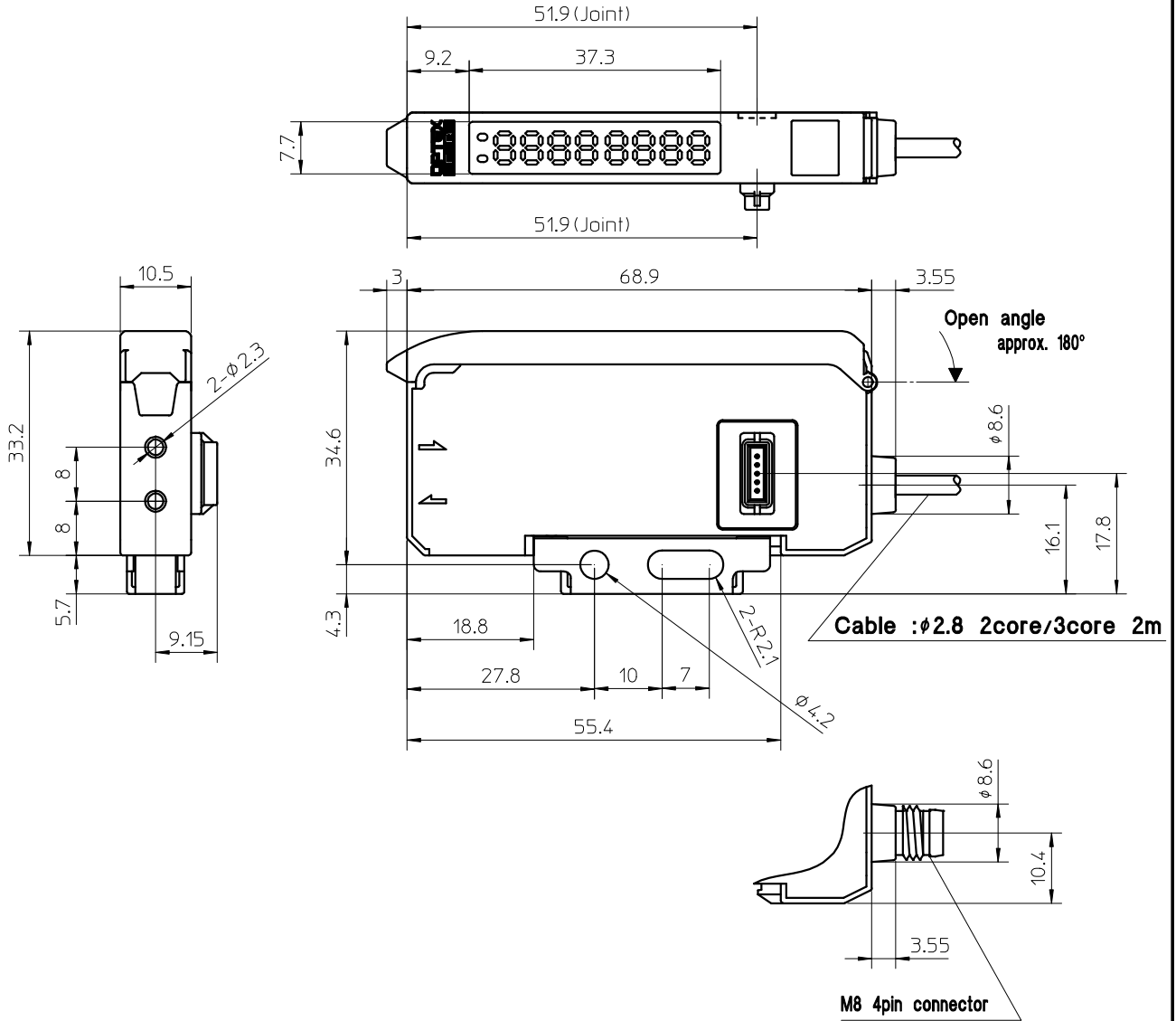
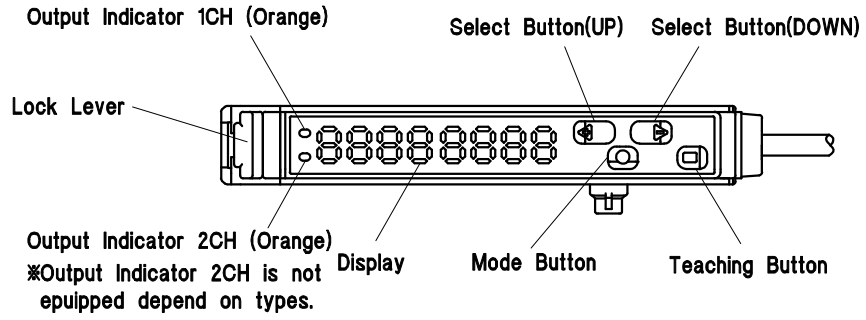


X110-Q013



CON.NO	QUAN	NAME		MATERIAL	STANDARD	DISPOSAL	REMARKS
A4	SCALE 1 / 1	UNIT m.m.	DATE 2009.06.15	DESCRIPTION D3RF/D3IF			
APPROVED BY T.Yuguchi	CHECKED BY S.Nishimura	DRAWN BY S.Horiike	DESIGNED BY S.Horiike	Slave unit with bracket			
3RD ANGLE PROJECTION				ITEM	DIMENSIONAL DRAWING		
OPTEX FA CO.,LTD.				DRAWING NO	X110-Q013		