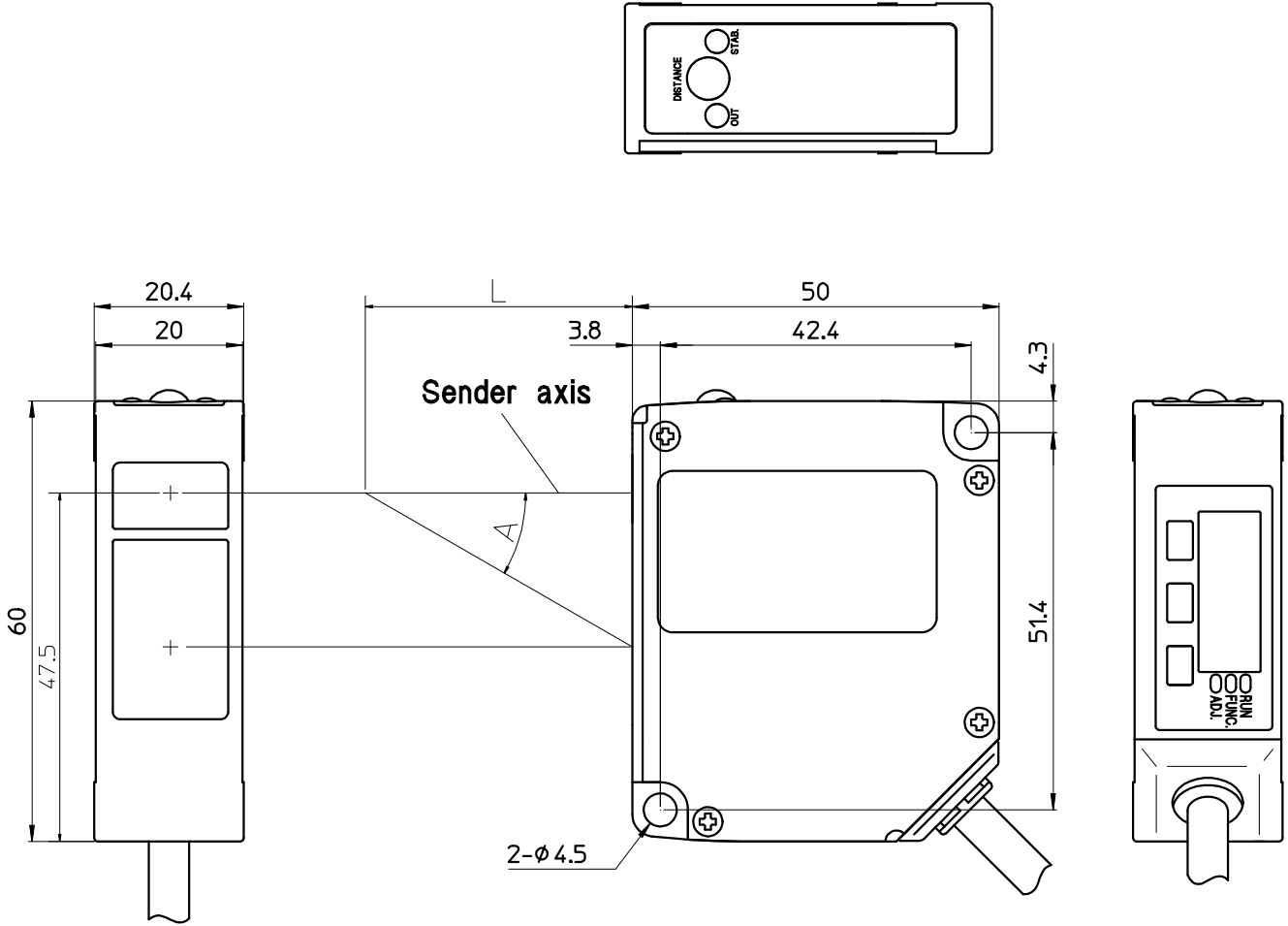


X75-Q010E



CD3-250	CD3-100	CD3-80	CD3-50	CD3-30
L=100 A=11.1°	L= 60 A=17.4°	L=65 A=16.3°	L=40 A=24.1°	L=26 A=32.5°
L=250 A=4.5°	L=100 A=11.1°	L=80 A=13.6°	L=50 A=20.3°	L=30 A=29.6°
L=400 A=3.0°	L=140 A=8.1°	L=95 A=11.7°	L=60 A=17.4°	L=34 A=27.2°

CON.NO	QUAN	NAME		MATERIAL	STANDARD	DISPOSAL	REMARKS
A4	SCALE 1/1	UNIT m.m.	DATE 2005.4.11	DESCRIPTION CD3 Series			
APPROVED BY K.Matsumoto	CHECKED BY R.Kumo	DRAWN BY S.Nishimura	DESIGNED BY R.Kumo	ITEM Optical Path			
3RD ANGLE PROJECTION	OPTEX FA CO.,LTD.			DRAWING NO	X75-Q010E		