



**Basler**

## **Technical Specification**

**Power- I/O Cable,HRS 12p, open, twisted pair, 3 m  
for scout, pilot**

**Order Number 2000022907**

**Version: 01 Language: 000 (English)**

**Release Date: 7<sup>th</sup> January 2009**

**Basler AG**

**An der Strusbek 60-62**

**22926 Ahrensburg, Germany**

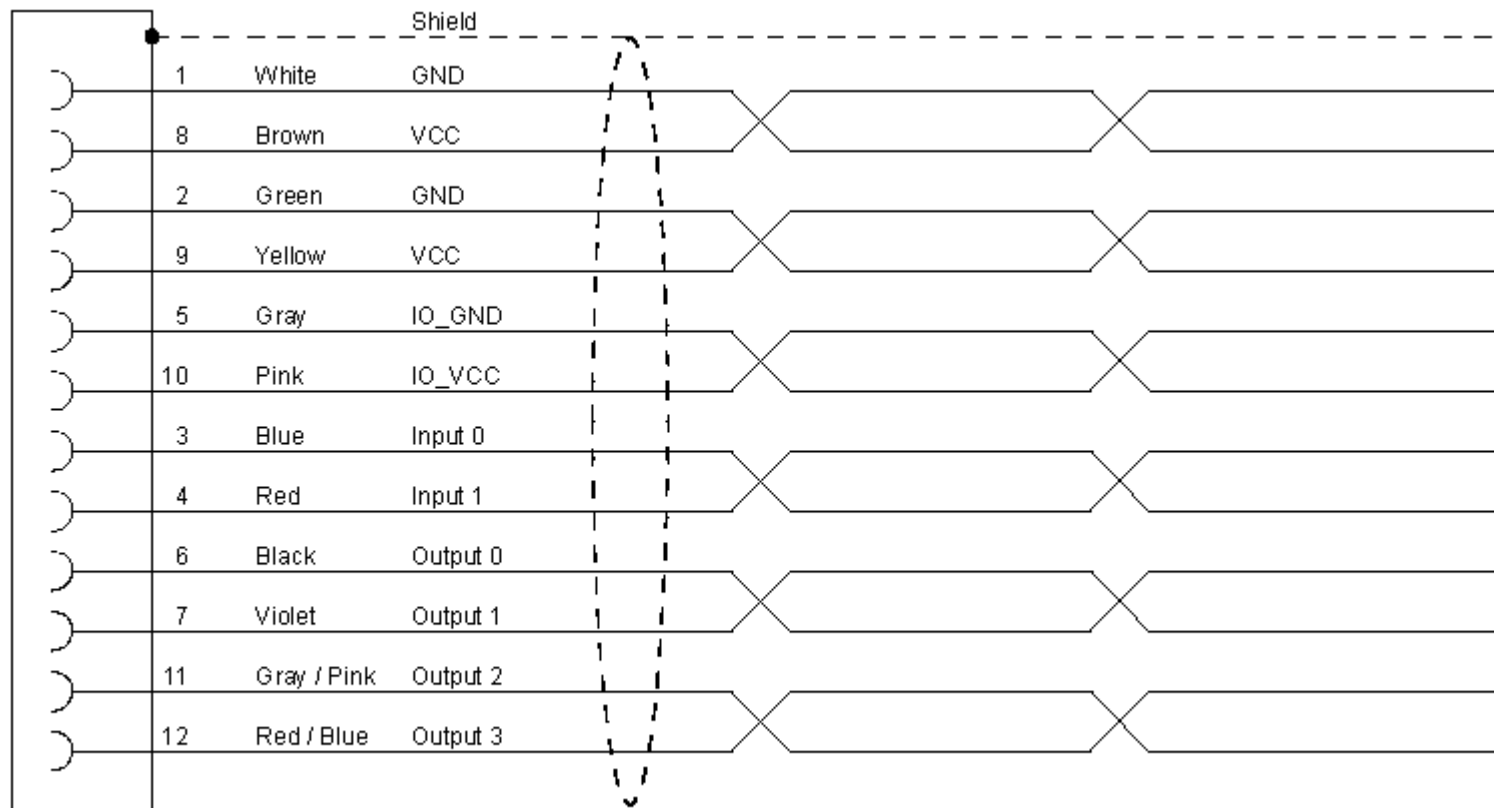
## Specification for:

Equipment	Power- I/O Cable,HRS 12p, open, twisted pair, 3 m	
Part description	Kabel, HRS digital IO, 3 m -MK3	Order number: 2000022907

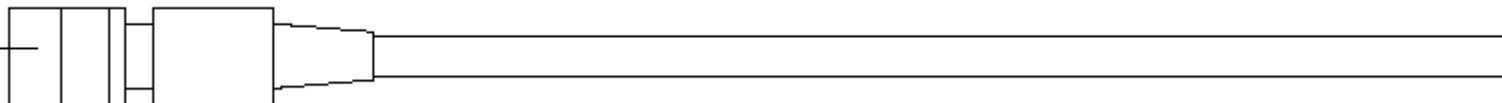
## Technical Specification:

- Drawing

## Drawing:



Hirose  
HR10A-10P-12S  
or the equivalent



Read the camera User's Manual including the safety warnings before connecting the cable to the camera. For information about pin assignments, power requirements, and comprehensive information about installing and using the camera, see the camera User's Manual.

You can download the User's Manual and related documents for your camera free of charge from the Basler website: [www.baslerweb.com](http://www.baslerweb.com).

## **Contacting Basler Support Worldwide**

### **Europe:**

Basler AG  
An der Strusbek 60 - 62  
22926 Ahrensburg  
Germany

Tel.: +49-4102-463-500  
Fax.: +49-4102-463-599

[bc.support.europe@baslerweb.com](mailto:bc.support.europe@baslerweb.com)

### **Americas:**

Basler, Inc.  
855 Springdale Drive, Suite 160  
Exton, PA 19341  
U.S.A.

Tel.: +1-877-934-8472  
Fax.: +1-610-280-7608

[bc.support.usa@baslerweb.com](mailto:bc.support.usa@baslerweb.com)

### **Asia:**

Basler Asia Pte. Ltd.  
8 Boon Lay Way  
# 03 - 03 Tradehub 21  
Singapore 609964

Tel.: +65-6425-0472  
Fax.: +65-6425-0473

[bc.support.asia@baslerweb.com](mailto:bc.support.asia@baslerweb.com)

[www.baslerweb.com](http://www.baslerweb.com)

**All material in this publication is subject to change without notice and is copyright Basler Vision Technologies.**