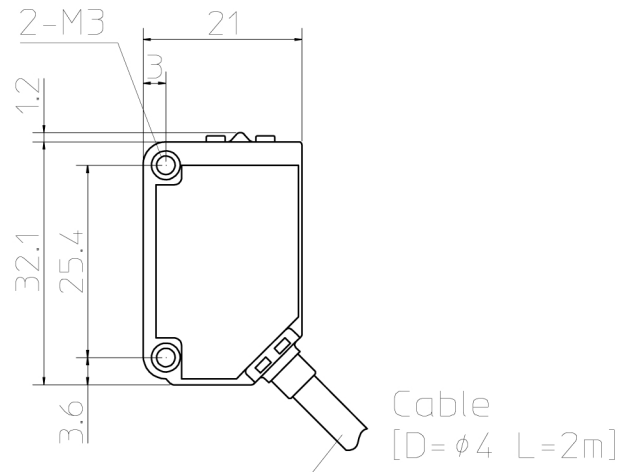
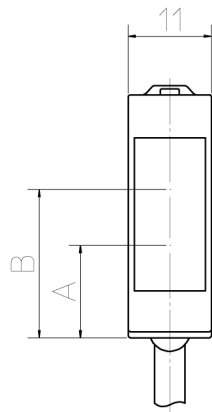
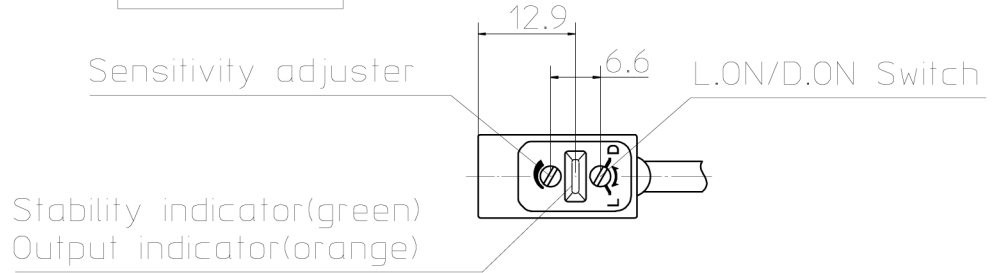


ZT Emitter



ZT Receiver
/ZD/ZR/BGS



Type	A Light emission axis	B Light reception axis
ZT	19.6	19.6
ZD	12.2	19.1
ZR		19.6
BGS-ZM10	10.7	18.5...20.2
BGS-ZM30		18.5...20.5

CON.NO	QUAN	NAME	MATERIAL	STANDARD	DISPOSAL	REMARKS
A4	SCALE 1/1	UNIT m.m.	DATE 2010.2.12	DESCRIPTION ZM Series [Metal type] Cable type		
APPROVED BY T.Yuguchi	CHECKED BY S.Horiike	DRAWN BY S.Nishimura	DESIGNED BY S.Nishimura	ITEM Dimensional drawing		
3RD ANGLE PROJECTION	OPTEX FA CO.,LTD.			DRAWING NO X108-Q001		