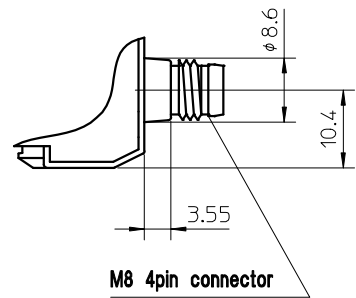
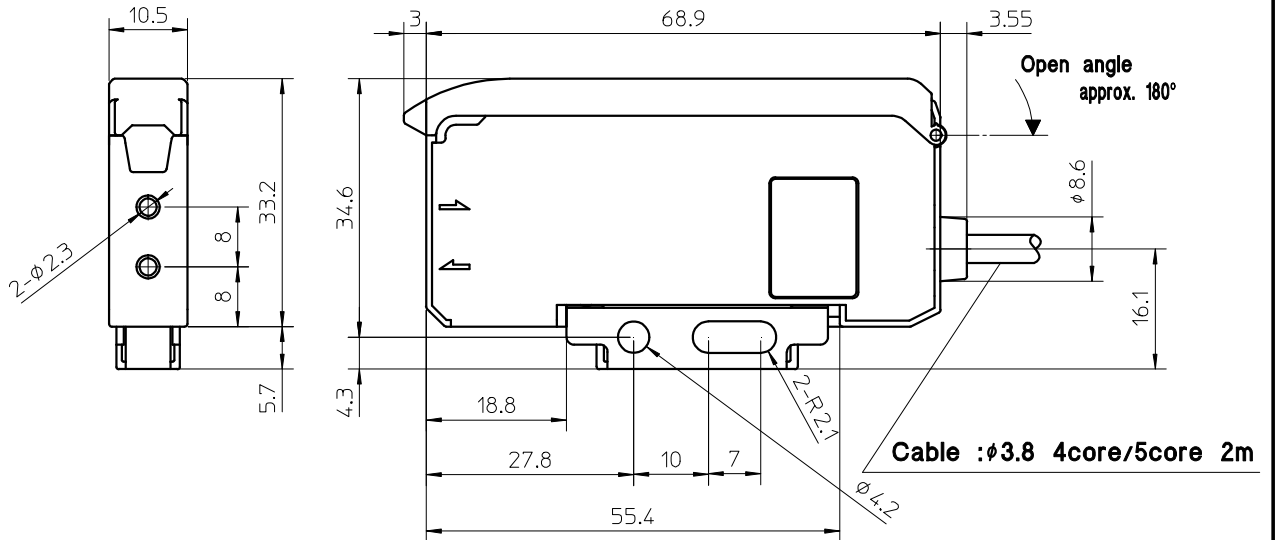
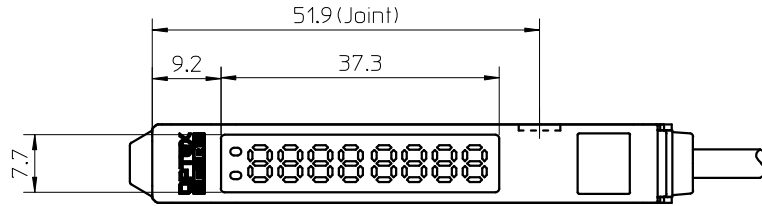
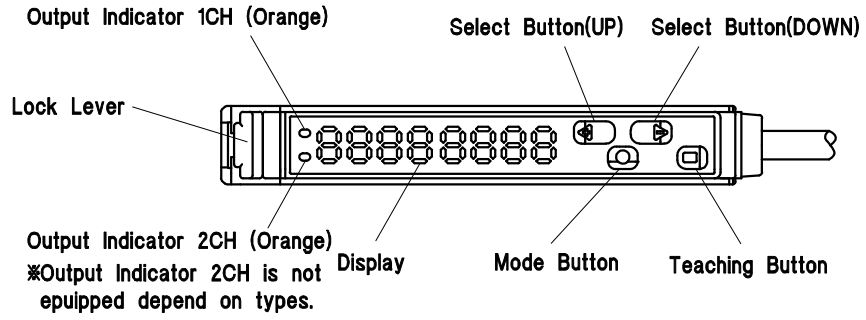



X110-Q011



CON.NO	QUAN	NAME	MATERIAL	STANDARD	DISPOSAL	REMARKS
<b>A4</b>	SCALE 1 / 1	UNIT m.m.	DATE 2009.06.15	DESCRIPTION <b>D3RF/D3IF</b>		
APPROVED BY T.Yuguchi	CHECKED BY S.Nishimura	DRAWN BY S.Horiike	DESIGNED BY S.Horiike	ITEM <b>Base unit with bracket</b> <b>DIMENSIONAL DRAWING</b>		
3RD ANGLE PROJECTION	 <b>OPTEX FA CO.,LTD.</b>		DRAWING NO	<b>X110-Q011</b>		