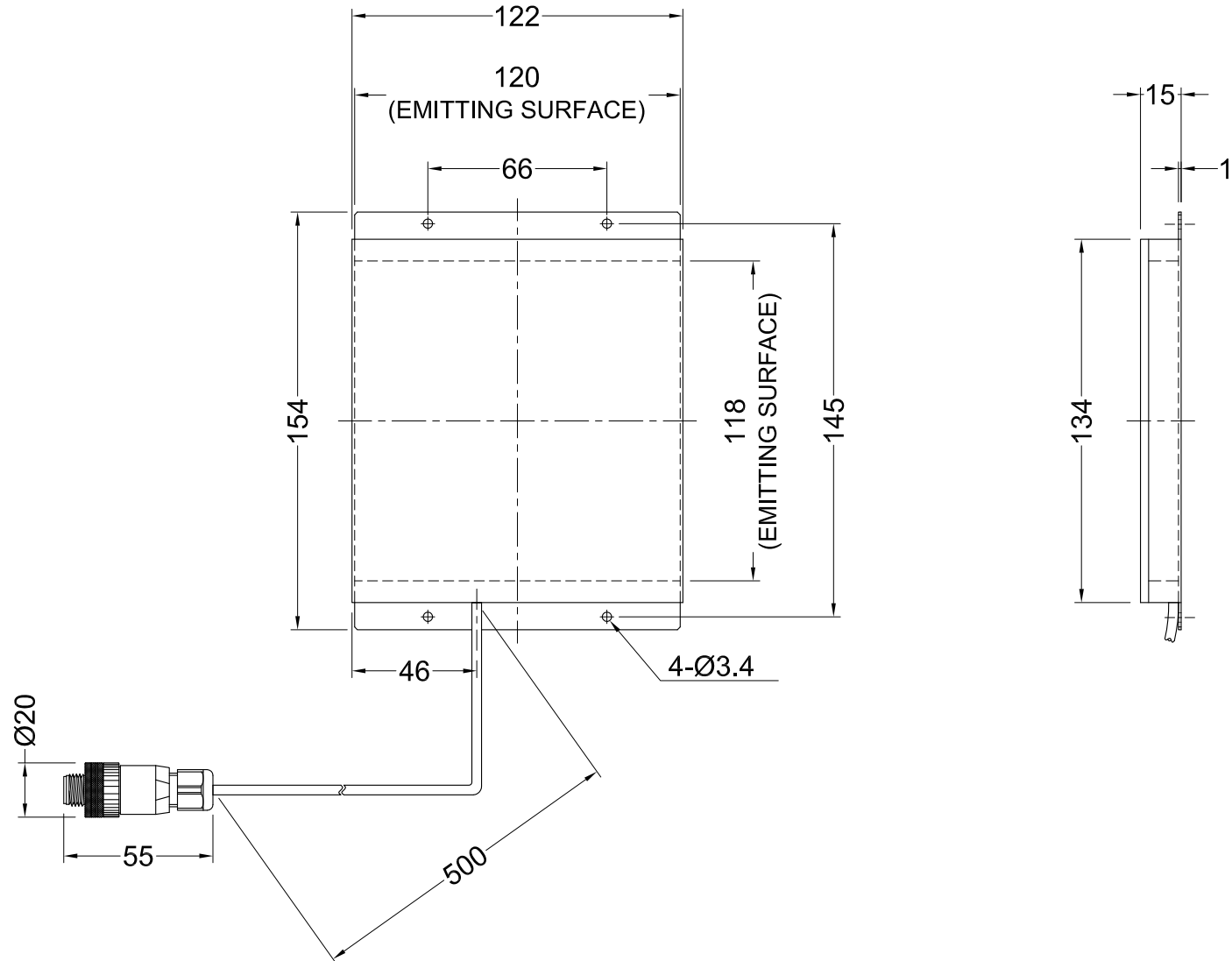


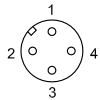
QBL-120120-47/-66/-SW

Model	QBL-120120-47/-SW	QBL-120120-66
Voltage	24V DC	24V DC
Power Consumption	21.6 W	23.1 W
Mass	310 g	310 g

Third Angle Projection All dimensions in mm



M12 X 1 MALE CONNECTOR



- PIN 1: (+): BROWN
- PIN 2: NC
- PIN 3: (-): BLUE
- PIN 4: NC

CABLE THICKNESS 3.6

QL series

Quality, features and pricing
for a new Vision World

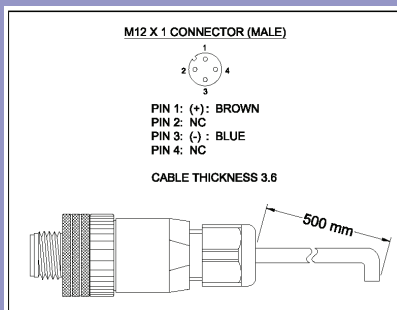
QBL BACK LIGHTS

- High intensity
- 24 Volt input
- Industry standard rugged connectors and cables
- Compact size
- Value priced



Part number	Color	Power	Weight
QBL-030030-	66	24V / 1.8W	50 g
	47 / SW	24V / 2.9W	
QBL-060060-	66	24V / 7.2W	110 g
	47 / SW	24V / 11.6W	
QBL-120120-	66	24V / 23.1W	310 g
	47 / SW	24V / 21.6W	
QBL-180180-	66	24V / 38.9W	750 g
QBL-240240-	66	24V / 69.2W	1000 g
QBL-180120-	66	24V / 34.6W	460 g
QBL-240120-	66	24V / 34.6W	600 g

- All QL series lights come standard with a 500mm cable and a quick disconnect M12 connector.
- For connection to **QLC-200-24V** controller or direct to 24VDC power supply (QPS-24V), use QRK-44T-n (n=2,3,5) extension cable.
- For connection to CCS 24V power supplies, use QADC-01 adaptor.



Part number designation

QBR-xxxxyy-zz
xxx : case length in mm
yyy : case height in mm

zz : 66 660 nm Red
47 470 nm Blue
52 525 nm Green
IR95 950 nm Infrared
SW White

QL Series Connections Guide For: QBL-120120-66

Power Supply Options:

PB-2430	PD2-3024-4
PSB-3024VB	PTU2-3024
PD2-3024	PDS-30
PD2-5024	DIL-5000-WV
PD2-3024-2	STU-3000

- For connection to above listed power supplies, use QADC-01 adaptor cable.
- Extension cables for QBL-120120-66 light when used with above listed power supplies (QADC-01 adaptor required):

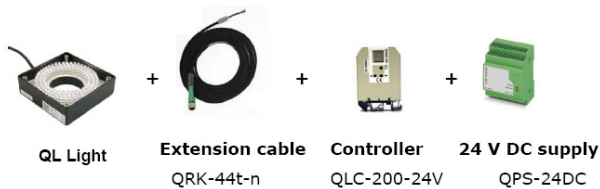
FCB-1	FRCB-5	FCB-F-5
FCB-2	FCB-10	FCB-W-2
FCB-3	FCB-20-1.25SQ	FCB-W-5
FCB-5	FCB-F-2	

24V DC Connection:

- For direct connection to 24V DC regulated power supply, use QRK-44T-n (n=2,3,5) extension cable.

QLC-200-24V – Overdriving Strobe Controller:

- For connection to QLC-200-24V controller or direct to 24VDC (QPS-24DC), use QRK-44T-n (n=2,3,5) extension cable.



Part Numbers		
Extension Cable	Controller	24 V DC Supply
QRK Series	QLC-200-24V	QPS-24DC

Extension Cable Part numbers	
Part Number	Length (m)
QRK-44T-2	2
QRK-44T-3	3
QRK-44T-5	5

