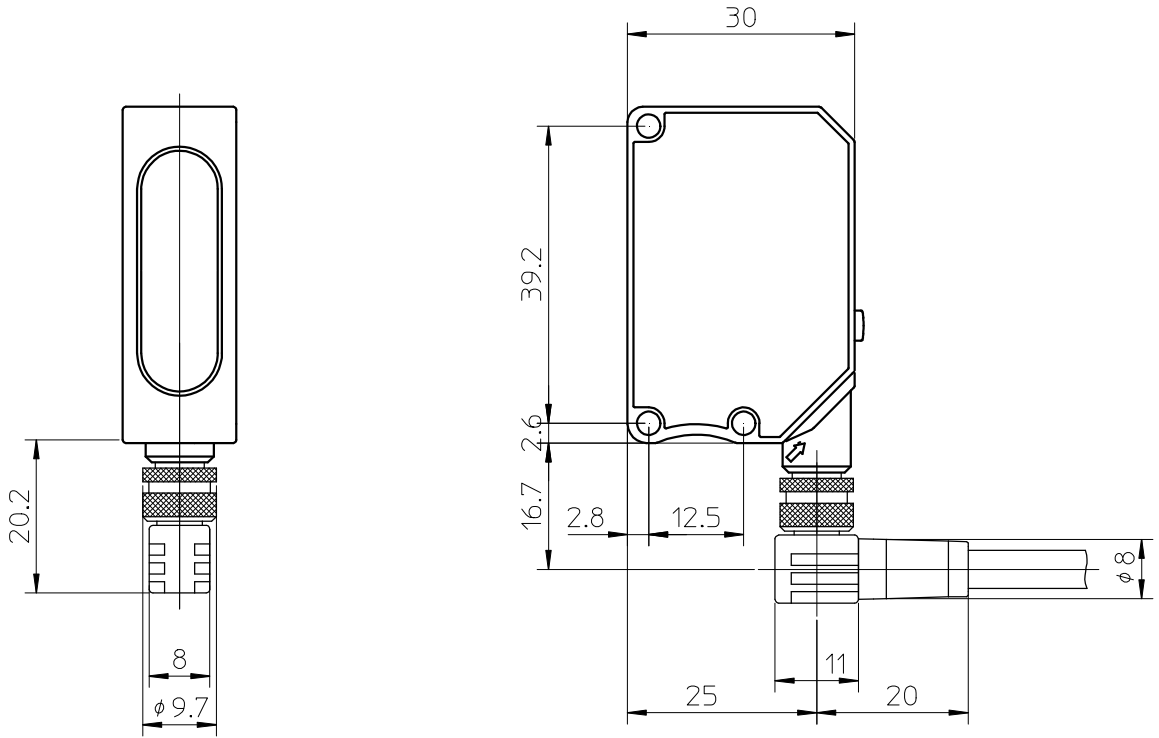


X62-Q109



CON.NO	QUAN	NAME		MATERIAL	STANDARD	DISPOSAL	REMARKS
A4	SCALE 1 / 1	UNIT m.m	DATE 2003.5.21	DESCRIPTION BGS-D / FGS-D with JCN-L			
APPROVED BY K.Matsumoto	CHECKED BY R.Kumo	DRAWN BY S.Nishimura	DESIGNED BY S.Nishimura	ITEM DIMENSION			
3RD ANGLE PROJECTION	OPTEX FA CO.,LTD.			DRAWING NO X62-Q109			