

PG36-BPSILP (PG36)

Cable Gland

Product Features

- No need to remove and reinstall connectors from cables for installation
- Creates a liquid tight seal around cables
- **Protection Rating: IP67; NEMA 4X**
If Cable Diameter = Insert Hole Diameter
- **Protection Rating: IP65; NEMA 3**
If Cable Diameter is up to 10% less than Insert Hole Diameter
- Body available in Polyamide, Nickel Plated Brass or 316 Stainless Steel
- Cable gland insert available in TPE
- Sealing washer available in polyethylene, Viton, BUNA-N, or silicone

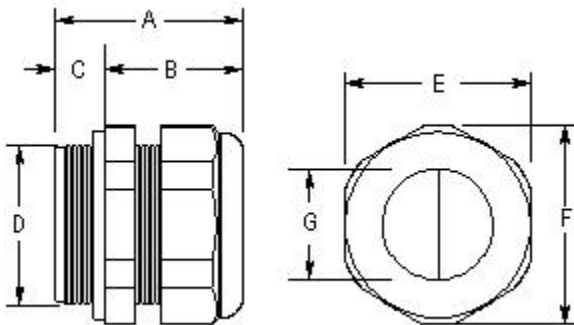


The PG series Cord Grips are a low cost, highly configurable solution for creating a watertight seal around one or more cables of varying sizes. The cord grip can be drilled for multiple configurations depending on how many cables are utilized.

The unique feature about this product is the split insert. The split insert eliminates the need to remove connectors from cables during installation, facilitating the use of premade cables.

The limiting factor then becomes the cord grip ID versus the width of the connector assembly on the prefabricated cable. The PG36 cord grip can accommodate a 36mm connector (for example, a DB-9 or HD-15 connector).

The PG series cord grip is offered in Polyamide, Nickel Plated Brass, or 316 Stainless Steel.



Note: Dimensions are for Polyamide Body, External Dimensions of Nickel Plated Brass and Stainless Steel Cord Grips are somewhat smaller. Please contact APG for specifics.

View a PDF file of our [Cord Grip Manual](#).

Cord Grip Dimensions:mm(in)

Part	A	B	C	D	E	F	G
PG36-BA	48.0(1.89)	34.0(1.34)	14.0(.55)	47.0(1.85)	53(2.11)	57(2.24)	37(1.47)