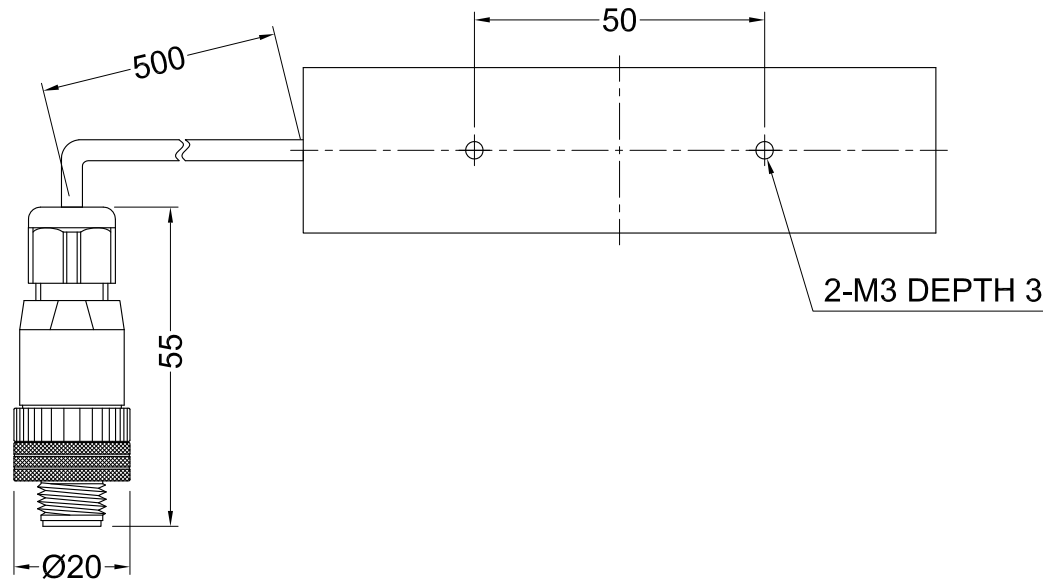
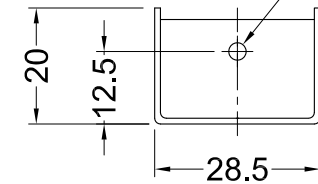
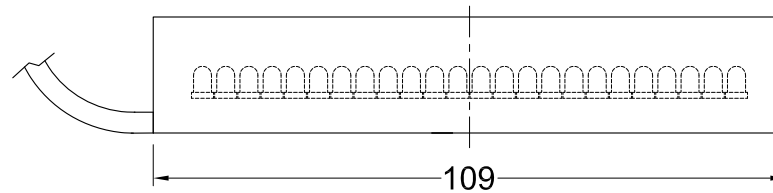


QBR-109028-47/-52/-66/-IR95/-SW

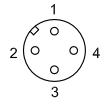
Model	QBR-109028-47/-52/-SW	QBR-109028-66	QBR-109028-IR95
Voltage	24V DC	24V DC	24V DC
Power Consumption	8.7 W	7.2 W	9.6 W
Mass	115 g	115 g	115 g

Third Angle Projection All dimensions in mm

2-M3 DEPTH 3 (BOTH SIDES)



M12 X 1 MALE CONNECTOR



PIN 1: (+): BROWN
 PIN 2: NC
 PIN 3: (-): BLUE
 PIN 4: NC

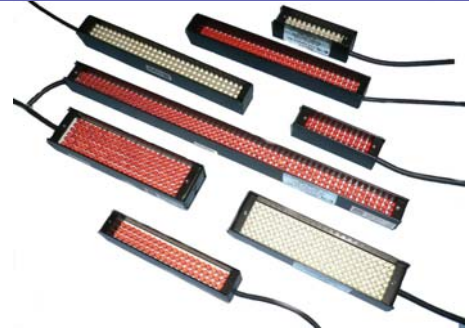
CABLE THICKNESS 3.6

QL series

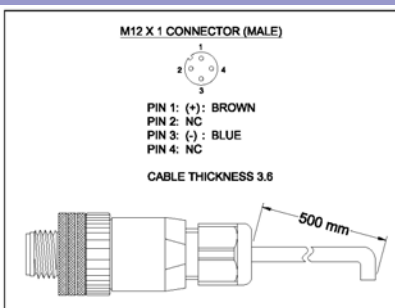
Quality, features and pricing
for a new Vision World

- High intensity
- 24 Volt input
- Industry standard rugged connectors and cables
- Compact size
- Value priced

QBR DIRECT BAR LIGHTS



Part Number	Color	Power	Weight	Diffuser	Polarizer
QBR-061016	66 / IR95	24 V / 2.4 W	55 g	DF-QBR-061016	PL-QBR-061016
	47 / 52 / SW	24 V / 2.9 W			
QBR-109016	66 / IR95	24 V / 4.8 W	85 g	DF-QBR-109016	PL-QBR-109016
	47 / 52 / SW	24 V / 5.8 W			
QBR-144016	66 IR95	24 V / 4.8 W 24 V / 7.2 W	105 g	DF-QBR-144016	PL-QBR-144016
	47 / 52 / SW	24 V / 7.7 W			
QBR-257016	66 IR95	24 V / 9.0 W 24 V / 9.6 W	180 g	DF-QBR-257016	PL-QBR-257016
	47 / 52 / SW	24 V / 14.4 W			
QBR-109028	66 IR95	24 V / 7.2 W 24 V / 9.6 W	115 g	DF-QBR-109028	PL-QBR-109028
	47 / 52 / SW	24 V / 8.7 W			
WD-QBR-109028 *IP67 washdown rated *Cable length: 1.5 m	66	24V / 7.2W	454 g	-	-
	SW	24V / 8.7W		-	-
QBR-144028	66	24 V / 8.9 W	140 g	-	-



- QL series lights come standard with a 500mm cable and a quick disconnect M12 connector.*
- For connection to **QLC-200-24V** controller or direct to 24VDC power supply (QPS-24V), use QRK-44T-n (n=2,3,5) extension cable.
- For connection to CCS 24V power supplies, use QADC-01 adaptor.

*Washdown QBR lights come with a 1.5 m cable.

Part number designation

QBR-xxxxyy-zz

xxx : case length in mm zz : 47 470 nm Blue
 yyy : case height in mm 52 520 nm Green
 66 660 nm Red
 IR95 950 nm Infrared
 SW 5500K White

QL Series Connections Guide For: QBR-109028-47

Power Supply Options:

PB-2430	PD2-5024	DIL-5000-WV
PSB-3024VB	PD2-3024-2	STU-3000
PSB-1024V-WW	PD2-3024-4	
PD2-1024	PTU2-3024	
PD2-3024	PDS-30	

- For connection to above listed power supplies, use QADC-01 adaptor cable.
- Extension cables for QBR-109028-47 light when used with above listed power supplies (QADC-01 adaptor required):

FCB-1	FRCB-5	FCB-F-5
FCB-2	FCB-10	FCB-W-2
FCB-3	FCB-20-1.25SQ	FCB-W-5
FCB-5	FCB-F-2	

24V DC Connection:

- For direct connection to 24V DC regulated power supply, use QRK-44T-n (n=2,3,5) extension cable.

QLC-200-24V – Overdriving Strobe Controller:

- For connection to QLC-200-24V controller or direct to 24VDC (QPS-24DC), use QRK-44T-n (n=2,3,5) extension cable.

Part Numbers		
Extension Cable	Controller	24 V DC Supply
QRK Series	QLC-200-24V	QPS-24DC

Extension Cable Part numbers	
Part Number	Length (m)
QRK-44T-2	2
QRK-44T-3	3
QRK-44T-5	5

