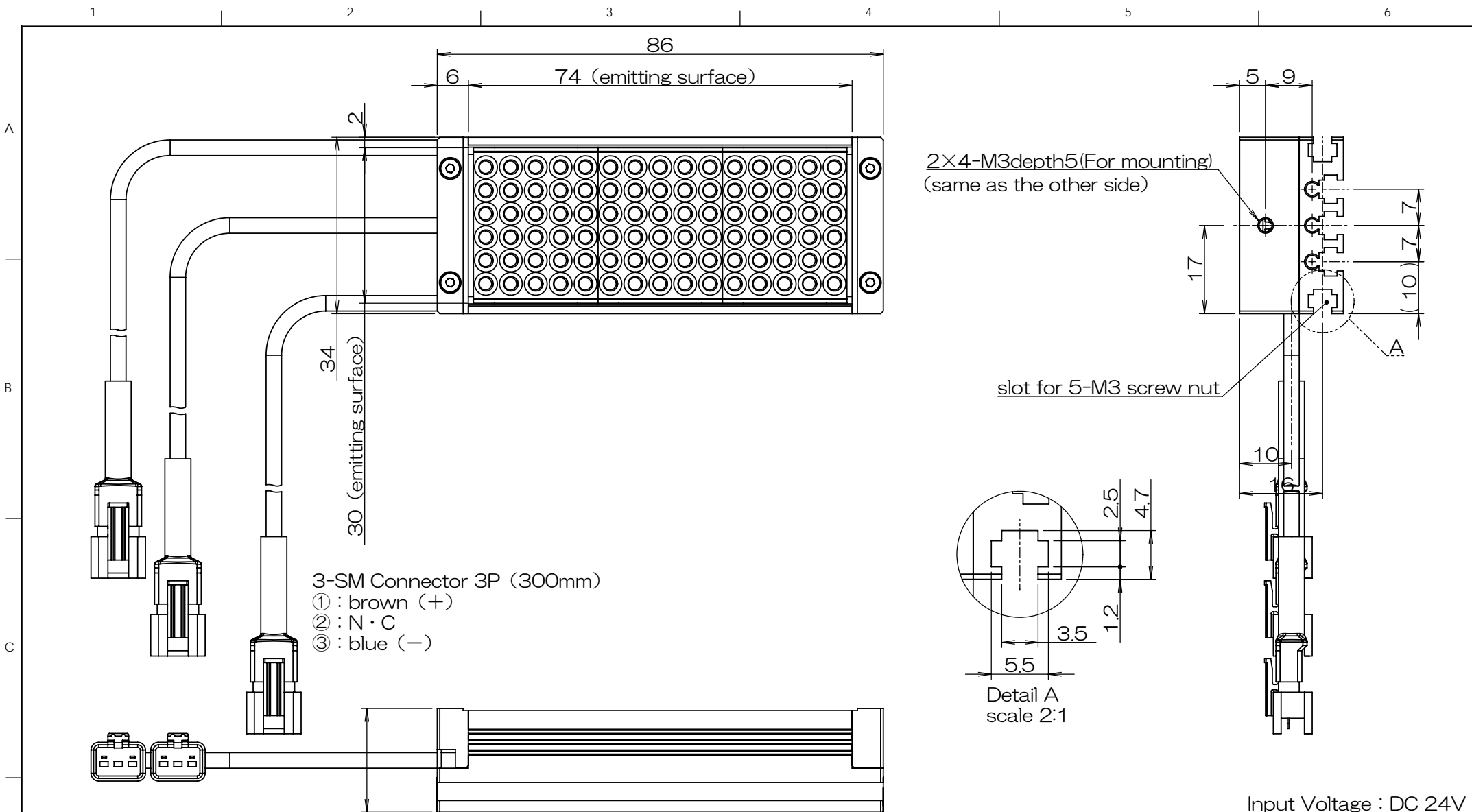



SPECIFICATIONS



Model Name	LDL2-74X30FC-WD
Input Voltage	DC 24V (Please use within 24V, otherwise it may cause temperature rise or could diminish the lifetime)
Input Current	RED:0.09A, GREEN:0.15A, BLUE:0.15A
Power Consumption	RED:2.1W, GREEN:3.5W, BLUE:3.5W
LED Color	RED, GREEN, BLUE
Peak wave length	fig. 1
Number of LEDs	90pieces
Cable Length	0.3m (+35mm, -0mm)
Connector	3-prong connector,SMR-03V-B/ Manufacturer: JST
Polarity & Signal	1: Anode (+)brown 2: NC 3: Cathode (-)blue
Operating Conditions	Temp. 0 - 40°C (Light intensity may vary due to the change in ambient temperature) Temp. 0 - 40°C, Humidity 20 - 85% (non-condensing) (Should not be frozen, condensed or exposed to the rapid change in temperature)
Storage Conditions	Temp. -20 - 60°C Humidity 20 - 85% (non-condensing)
Exterior Dimensions	Refer to the drawing on a separate sheet
Special Instruction	<p style="text-align: center;">Wide range Wave Lengths (Ta=25°C, IF=20mA)</p> <p style="text-align: right;">Fig. 1</p>



Input Voltage : DC 24V
 Power Consumption: RED:2.1W GREEN:3.5W BLUE:3.5W

ISSUE DATE	SCALE	APPROVED	NAME
2009/06/19	1:1	K.MIURA	LDL2-74X30FC-WD
 CCS Inc.	SHEET SIZE	CHECKED	DRAWING NAME
	A4	K.MIURA	OUTLINE
	DESIGNED		
PROJECTION		T.OSAWA	DRAWING No.
		DRAWN	UA04371-G
		T.OSAWA	REVISION
			000
			01/01

UNIT:mm

000			
REVISION	DATE	DESCRIPTION	REVISED