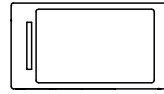


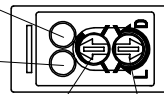
Z3T Sender



Z3T Receiver/Z3D/Z3R/Z3D-L/Z3R-Q

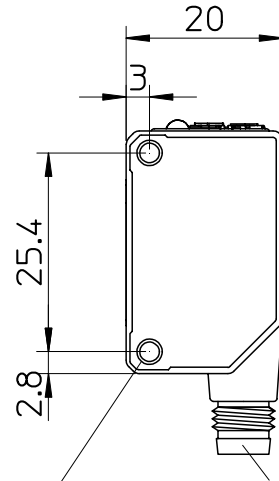
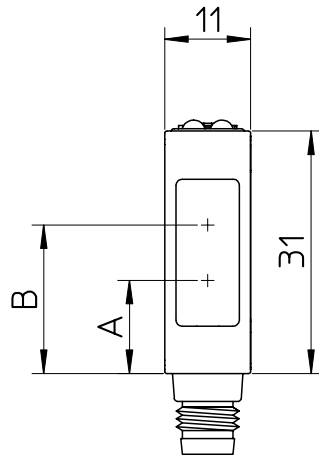
Output indicator(orange)

Stable indicator(green)



Sensitivity adjuster

L.ON/D.ON selector



2-M3 P0.5 M8 4-pin connector

Type	A Optical axis Sender	B Optical axis Receiver
Z3T Sender	—	19 (Sender)
Z3T Receiver	—	19
Z3D	11.9	19
Z3R	11.9	19
Z3D-L	11.9	18.8
Z3R-Q	11.9	19

CON.NO	QUAN	NAME	MATERIAL	STANDARD	DISPOSAL	REMARKS
A4	SCALE 1/1	UNIT mm	DATE 2014.2.21	DESCRIPTION Z3 Series Connector type		
APPROVED BY T.Yuguchi	CHECKED BY S.Nishimura	DRAWN BY S.Mikata	DESIGNED BY S.Mikata	ITEM Dimensional drawing		
3RD ANGLE PROJECTION	OPTEX FA CO.,LTD.			DRAWING NO X124-Q022		