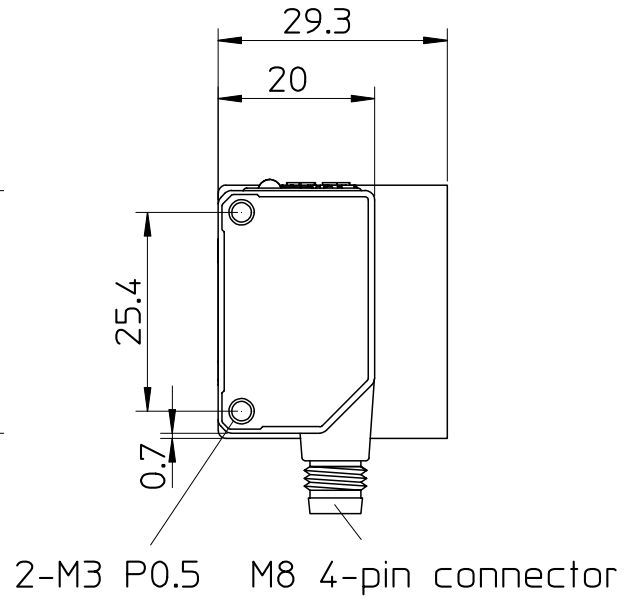
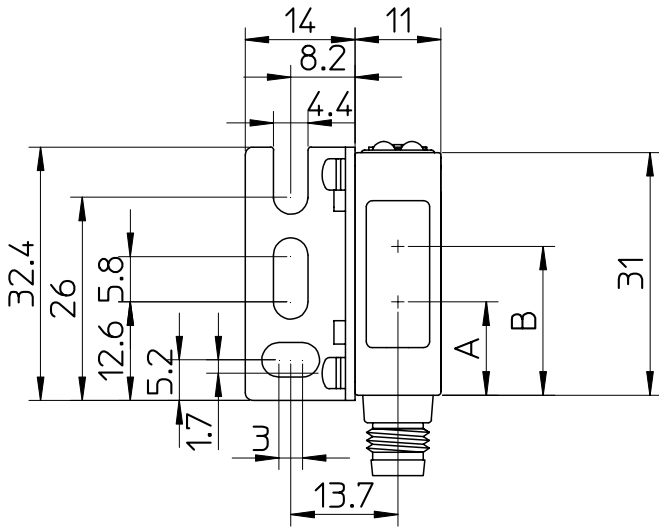
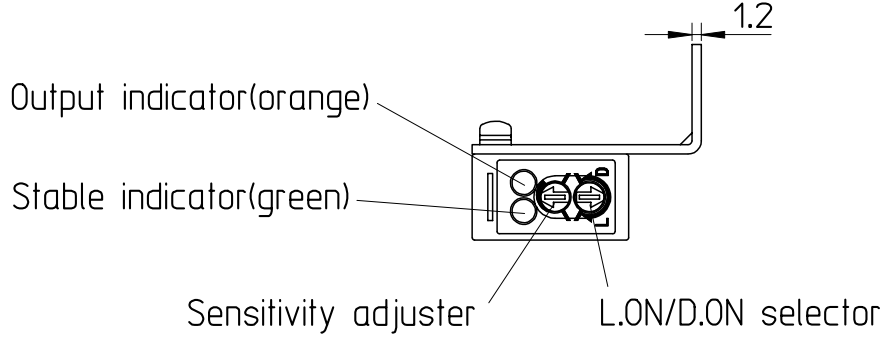


Z3T Receiver/Z3D/Z3R/Z3D-L/Z3R-Q



Type	A Optical axis Sender	B Optical axis Receiver
Z3T Sender	—	19 (Sender)
Z3T Receiver	—	19
Z3D	11.9	19
Z3R	11.9	19
Z3D-L	11.9	18.8
Z3R-Q	11.9	19

CON.NO	QUAN	NAME	MATERIAL	STANDARD	DISPOSAL	REMARKS
<b>A4</b>	SCALE 1/1	UNIT mm	DATE 2014.2.21	DESCRIPTION <b>Z3 Series</b>		
APPROVED BY <b>T.Yuguchi</b>	CHECKED BY <b>S.Nishimura</b>	DRAWN BY <b>S.Mikata</b>	DESIGNED BY <b>S.Mikata</b>	ITEM <b>Connector type with optional bracket</b>		
3RD ANGLE PROJECTION			DRAWING NO <b>X124-Q024</b>		ITEM <b>Dimensional drawing</b>	
<b>OPTEX FA CO.,LTD.</b>						