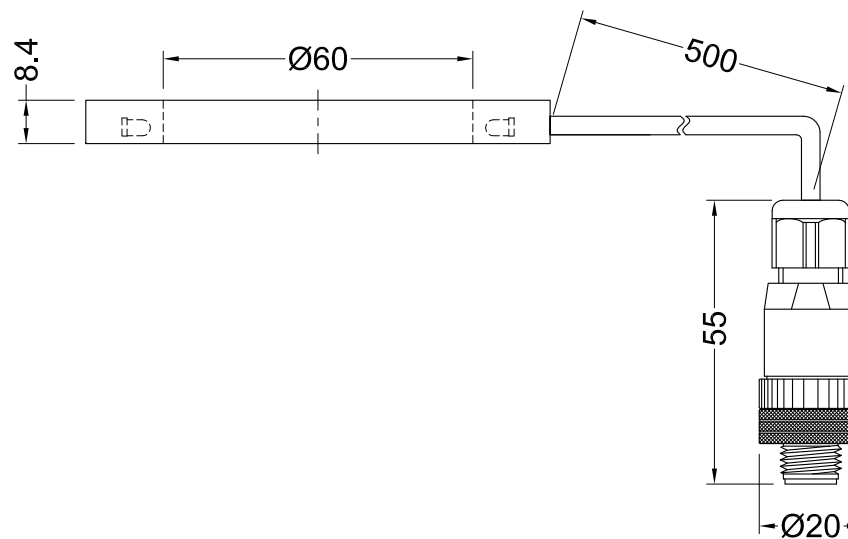
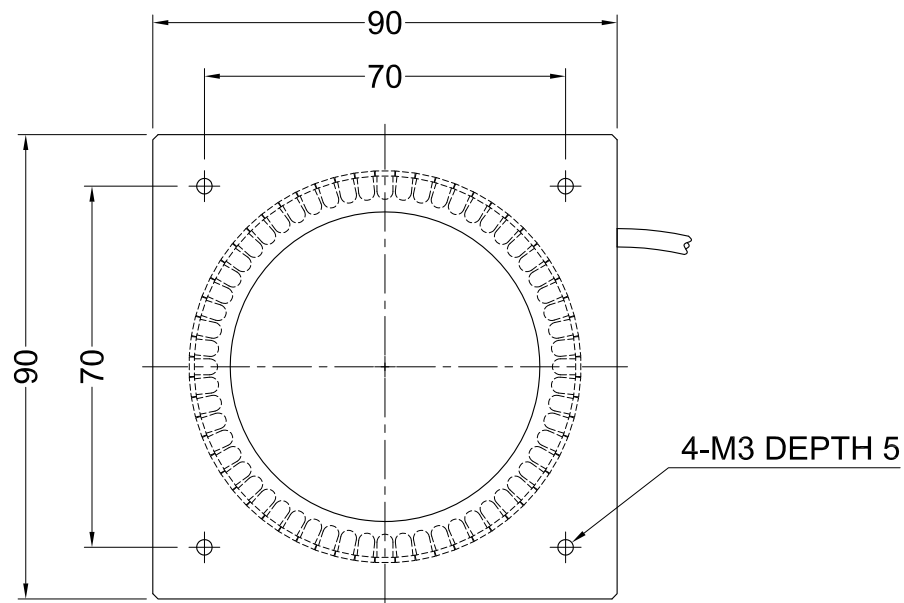


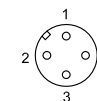
# QDF-090060-47/-52/-66/-SW

Model	QDF-090060-47/-52/-SW	QDF-090060-66
Voltage	24V DC	24V DC
Power Consumption	4.8 W	3.0 W
Mass	115 g	115 g

Third Angle Projection All dimensions in mm



M12 X 1 MALE CONNECTOR



PIN 1: (+) : BROWN  
PIN 2: NC  
PIN 3: (-) : BLUE  
PIN 4: NC

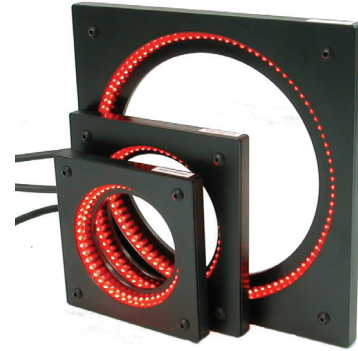
CABLE THICKNESS 3.6

# QL series

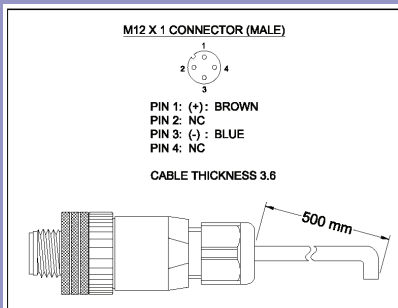
Quality, features and pricing  
for a new Vision World

## QDF DARK FIELD LIGHTS

- High intensity
- 24 Volt input
- Industry standard rugged connectors and cables
- Compact size
- Value priced



Part number	Color	Power	Weight
QDF-075045-	66	24V / 3.0W	90 g
	47 / 52 / SW	24V / 4.8W	
QDF-090060-	66	24V / 3.0W	115 g
	47 / 52 / SW	24V / 4.8W	
QDF-138102-	66	24V / 6.0W	210 g
	47 / 52 / SW	24V / 9.6W	



- All QL series lights come standard with a 500mm cable and a quick disconnect M12 connector.
- For connection to **QLC-200-24V** controller or direct to 24VDC power supply (QPS-24V), use QRK-44T-n (n=2,3,5) extension cable.
- For connection to CCS 24V power supplies, use QADC-01 adaptor.

### Part number designation

QBR-xxxxyy-zz  
xxx : case length in mm  
yyy : case height in mm

zz : 66 660 nm Red  
47 470 nm Blue  
52 525 nm Green  
IR95 950 nm Infrared  
SW White

# QL Series Connections Guide For: QDF-090060-SW

## Power Supply Options:

PB-2430	PD2-3024	PDS-30
PSB-524V	PD2-5024	DIL-5000-WV
PSB-3024VB	PD2-3024-2	STU-3000
PSB-1024V-WW	PD2-3024-4	
PD2-1024	PTU2-3024	

- For connection to above listed power supplies, use QADC-01 adaptor cable.
- Extension cables for QDF-090060-SW light when used with above listed power supplies (QADC-01 adaptor required):

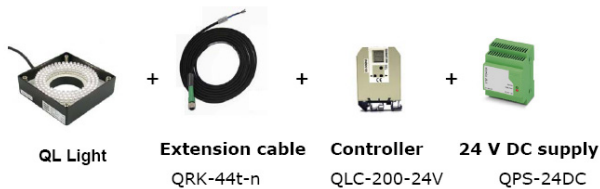
FCB-1	FRCB-5	FCB-F-5
FCB-2	FCB-10	FCB-W-2
FCB-3	FCB-20-1.25SQ	FCB-W-5
FCB-5	FCB-F-2	

## 24V DC Connection:

- For direct connection to 24V DC regulated power supply, use QRK-44T-n (n=2,3,5) extension cable.

## QLC-200-24V – Overdriving Strobe Controller:

- For connection to QLC-200-24V controller or direct to 24VDC (QPS-24DC), use QRK-44T-n (n=2,3,5) extension cable.



Part Numbers		
Extension Cable	Controller	24 V DC Supply
QRK Series	QLC-200-24V	QPS-24DC

Extension Cable Part numbers	
Part Number	Length (m)
QRK-44T-2	2
QRK-44T-3	3
QRK-44T-5	5

