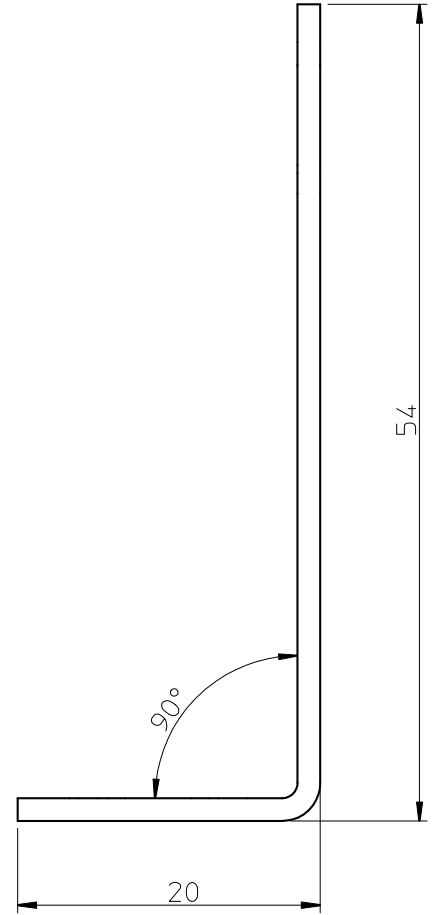
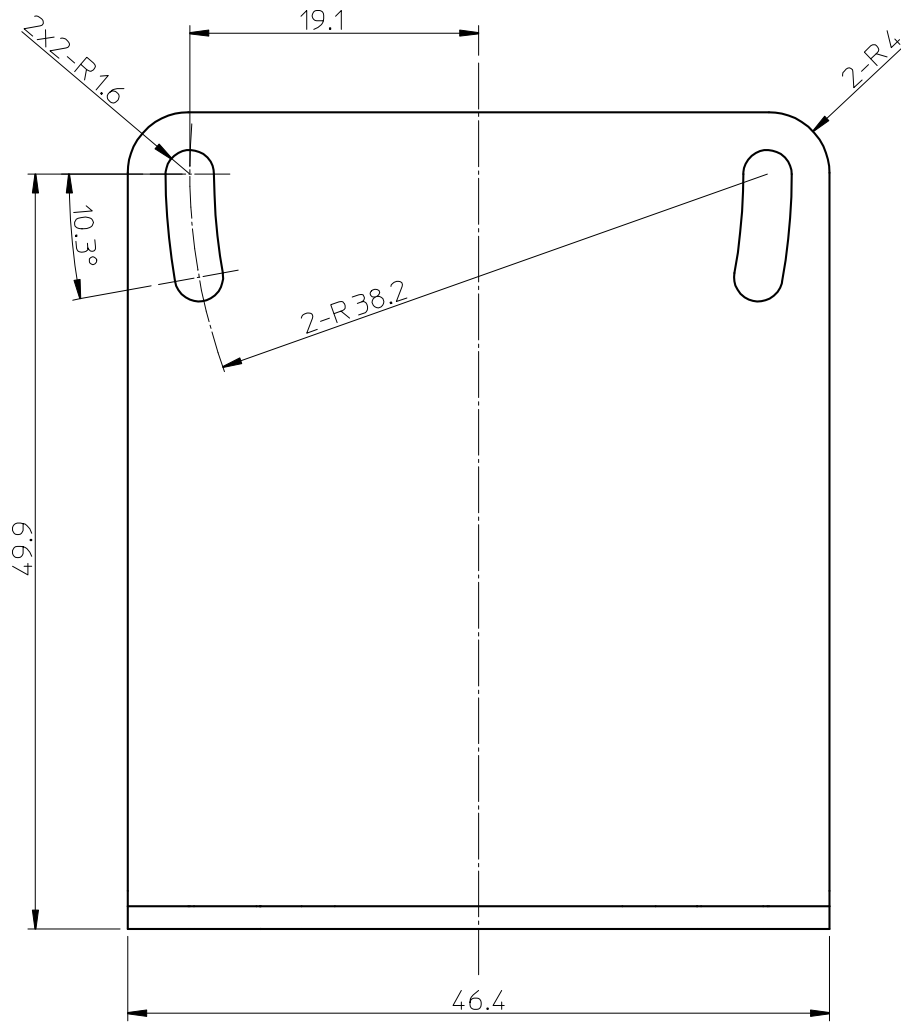
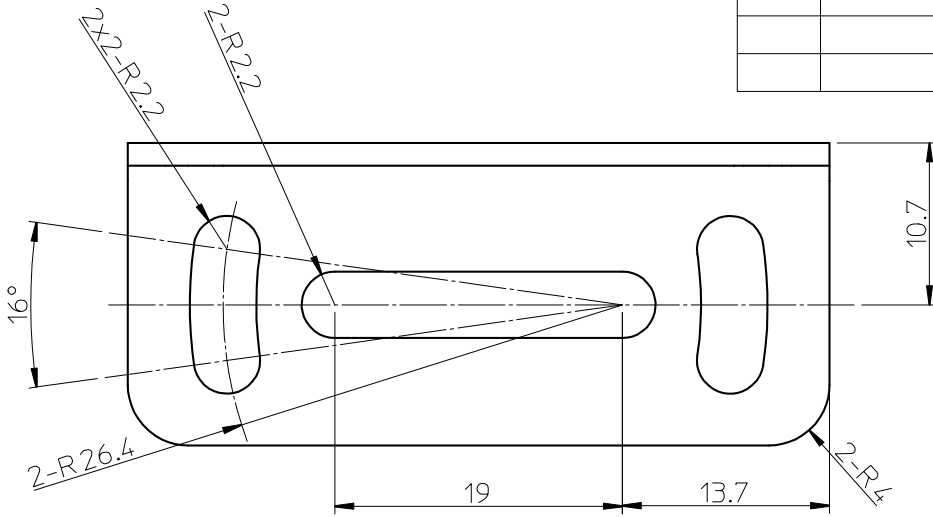


X120-Q032



				SUS304	t=1.5		
CON.NO	QUAN	NAME		MATERIAL	STANDARD	DISPOSAL	REMARKS
A4	SCALE 2 / 1	UNIT m.m	DATE 2013.04.05	DESCRIPTION BEF-OD1-A			
APPROVED BY T.Yuguchi	CHECKED BY S.Nishimura	DRAWN BY K.Yamauchi	DESIGNED BY K.Yamauchi	ITEM Dimensions			
3RD ANGLE PROJECTION	FASTUS OPTEX FA CO.,LTD.			DRAWING NO X120-Q032			