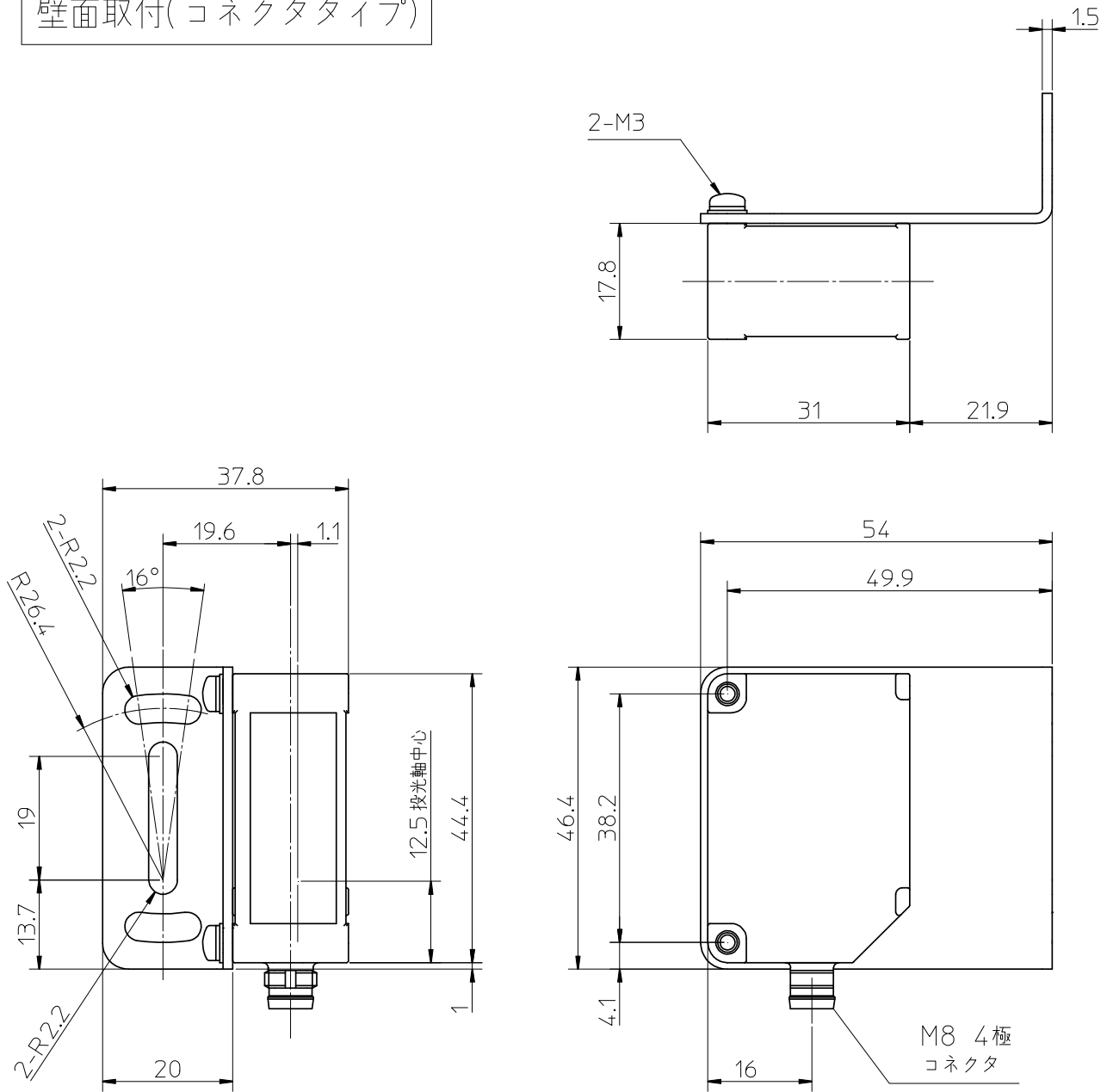


X120-Q022

壁面取付(コネクタタイプ)



CON.NO	QUAN	NAME		MATERIAL	STANDARD	DISPOSAL	REMARKS
A4	SCALE 1/1	UNIT m.m.	DATE 2013.04.05	DESCRIPTION BGS-HL25TC/05TC with BEF-OD1-A			
APPROVED BY T.Yuguchi	CHECKED BY S.Horiike	DRAWN BY S.Nishimura	DESIGNED BY S.Nishimura	ITEM Dimensions			
3RD ANGLE PROJECTION	FASTUS OPTEX FA CO.,LTD.			DRAWING NO X120-Q022			