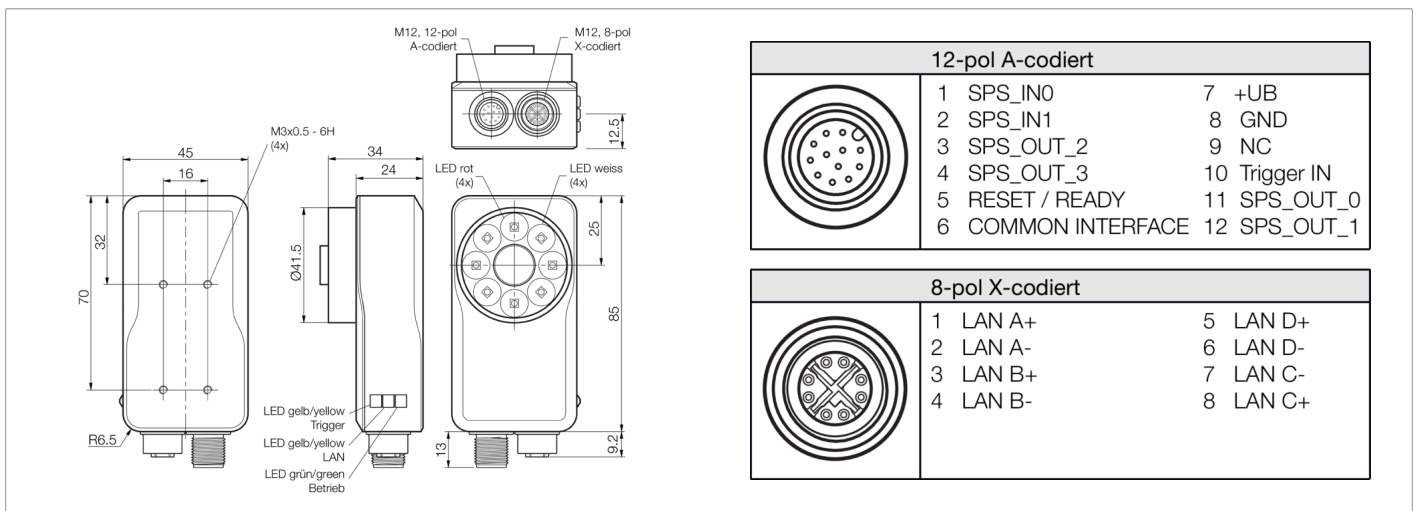






212910
CS60-BM28-EP15/300

- The specialist, compact and high-performance
- High power LED illumination in red and white
- Flexible and productive Software nVision-i
- Parameter changes via linked Profinet inputs during execution
- Simple & intuitive parameterization
- Flexible working distances of 50 - 2,000 mm by changing lenses
- Upgrade option: Measure & read 1D and 2D codes
- Customization option



12-pol A-codiert		
	1 SPS_IN0	7 +UB
	2 SPS_IN1	8 GND
	3 SPS_OUT_2	9 NC
	4 SPS_OUT_3	10 Trigger IN
	5 RESET / READY	11 SPS_OUT_0
	6 COMMON INTERFACE	12 SPS_OUT_1

8-pol X-codiert		
	1 LAN A+	5 LAN D+
	2 LAN A-	6 LAN D-
	3 LAN B+	7 LAN C-
	4 LAN B-	8 LAN C+

Function												



Technical data (typ.)	+20°C, 24 V DC
Service voltage	18 ... 30 V DC
No-load current (max.)	1.000 mA (24 V DC)
Voltage drop (max.)	2,0 V
Insulation voltage endurance	500 V
Housing material	Die-cast zinc (Black, powder-coated)
Lens connection	S-mount
Weight	250 g
Protection class	III, operation on protective low voltage
Model	CS 60
Design	Cuboid design
Inspection tasks	Localization, Parts recognition, Counting
Scope of delivery	CS60-BM28-EP15/300, O-S1-S-080-40, Basic license (pre-installed)
Internal lights	High power, red, High power, white
Switching output	Push-pull, 150 mA
Protocols	TCP/IP, Profinet
Focal length	8 mm
Resolution	736 x 480 Pixel
Working distance	50,0 ... 2.000 mm
Display	LED Green - Operation, yellow - DATA-Link yellow - Trigger
Ambient temperature during operation	0 ... +50 °C
Protection type	IP 67



212910
CS60-BM28-EP15/300

Technical data (typ.)

+20°C, 24 V DC

Connection

Connector, M12, 12-pin (A-coded)

Connection 2

Socket, M12, 8-pin

More information / accessories

<https://www.di-soric.com/212910>